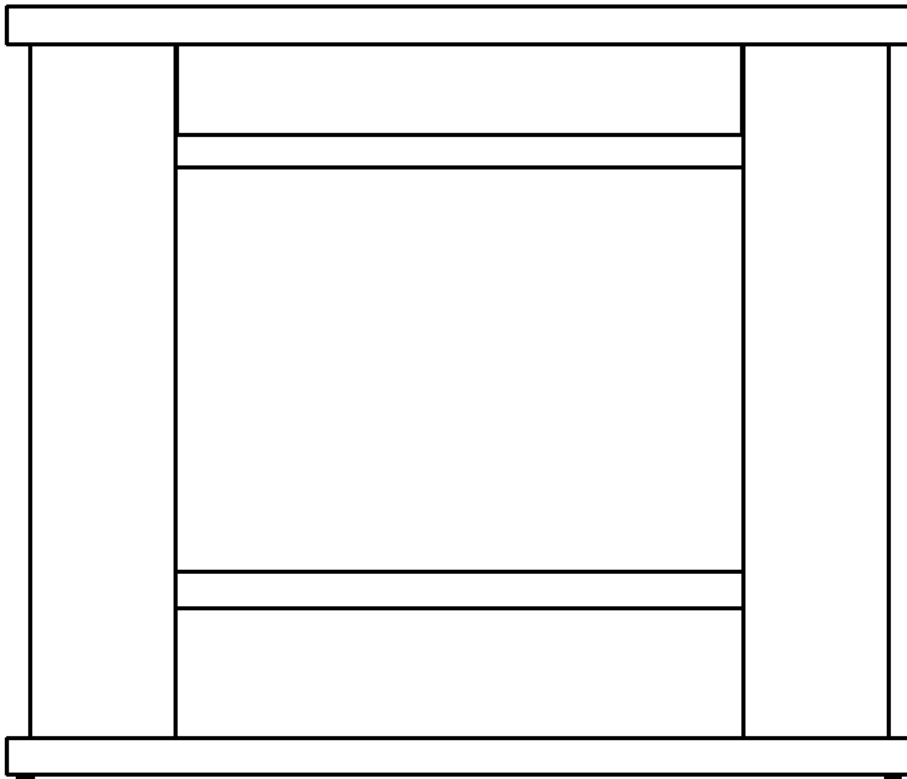


Installation and Users Instructions

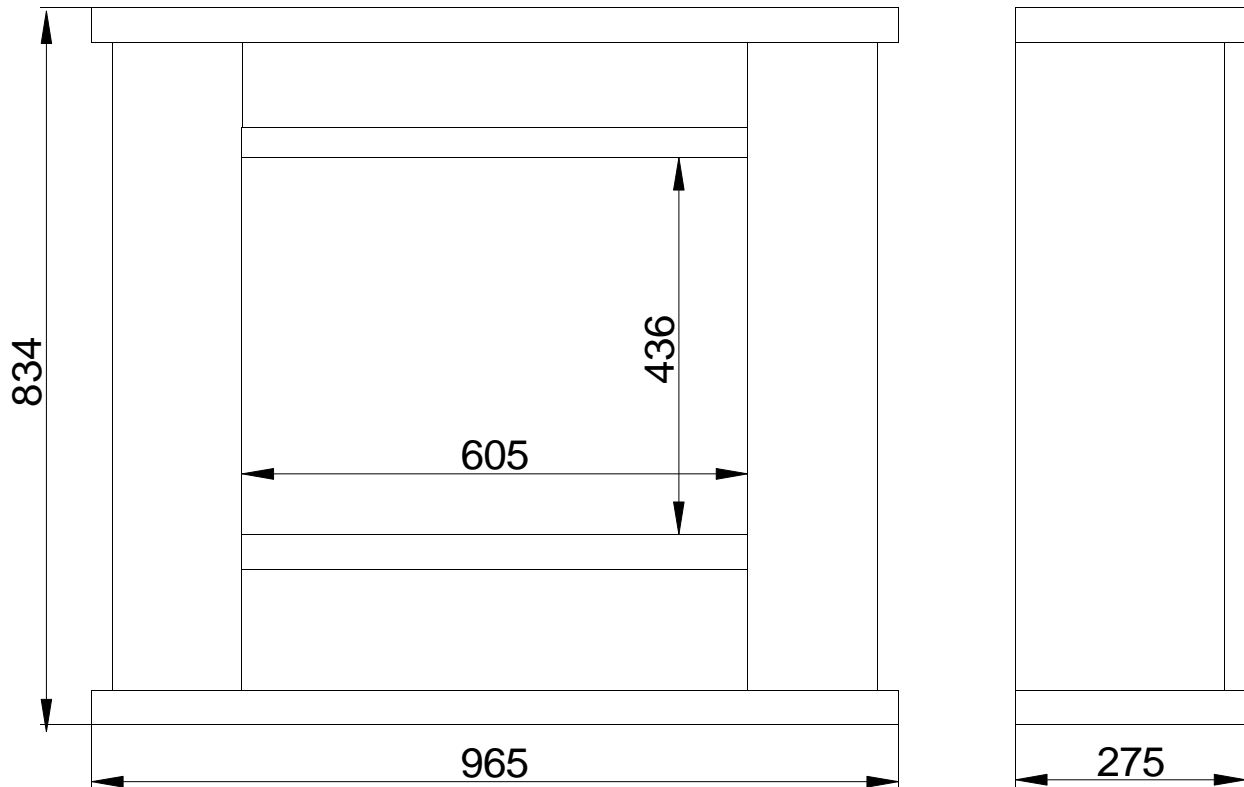


Model: NEBRASKA Fireplace Mantle

PLEASE READ THIS MANUAL BEFORE INSTALLING AND USING APPLIANCE. INSTALLER: DO NOT DISCARD THIS MANUAL – LEAVE WITH THE CUSTOMER SAVE THESE INSTRUCTIONS FOR FUTURE REFERENCE.

SECTION 1 DIMENSIONS

Dimensions in mm



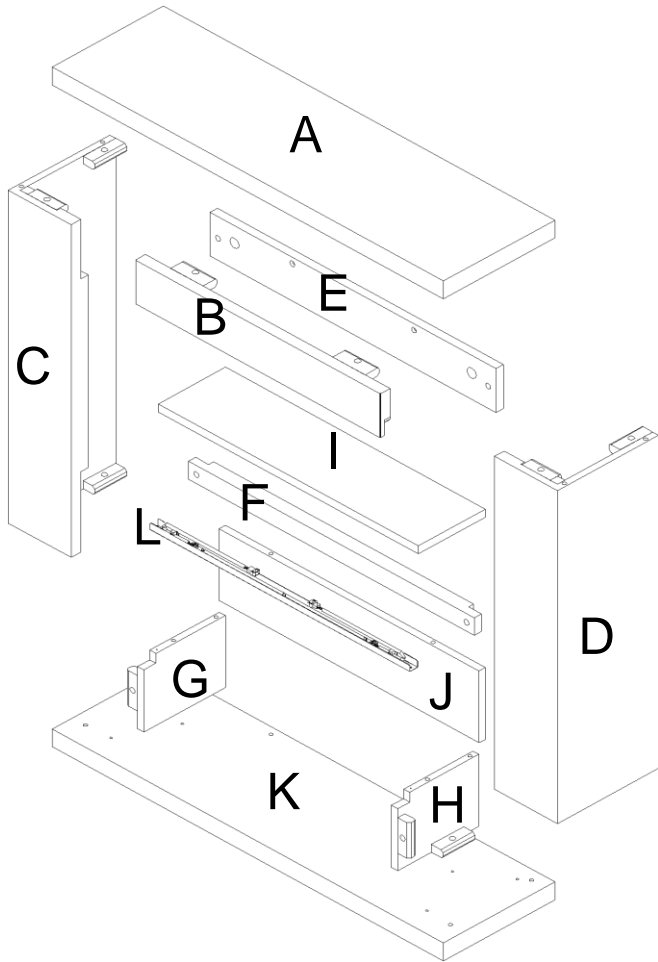
SECTION 2 ASSEMBLY AND INSTALLATION


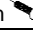
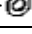
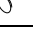
2.1 Unpack

Open the package carefully and remove all pieces. Carefully inspect each part for any damage before you begin assembly.

Make sure that you have all the parts listed below before assembling.

Retain packaging for future transport and/or storage.

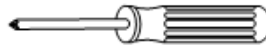


No.	Name	Quantity
A	Top panel	1
B	Front top panel	1
C	Left side panel	1
D	Right side panel	1
E	Second top panel	1
F	Second bottom panel	1
G	Support left panel	1
H	Support right panel	1
I	Support top panel	1
J	Support back panel	1
K	Base panel	1
L	Lower moodlight assembly	1
M	Wood dowel 	16+1(Spare)
N	Screws M6*30mm 	20+1(Spare)
O	Washer 	20+1(Spare)
P	Screws ST4*12 	2+1(Spare)
Q	Extension lead 460mm	1

NOTE: left and right of product are distinguished by its front view.

2.2 Before installation

Tools required: magnetic Philips screwdriver



2.3 Installation

NOTE!

Assembly required by two adults.

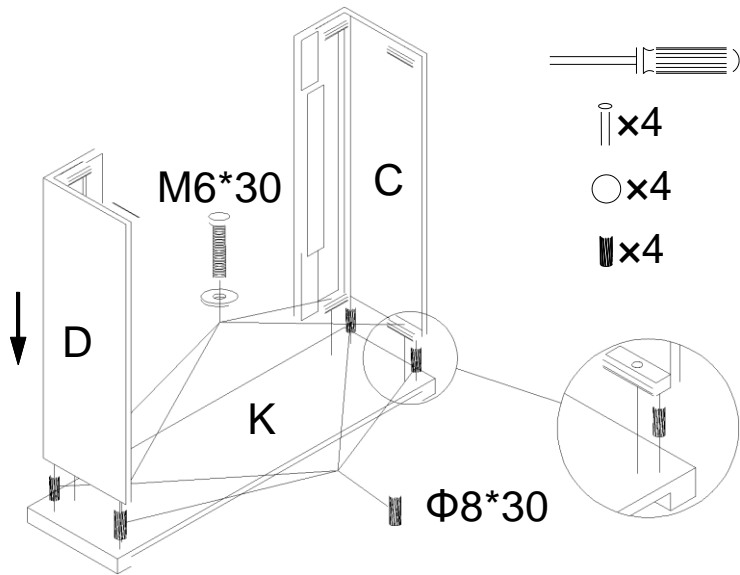
This fireplace suite must be fitted to the wall. Mirror plates are supplied with the electric fire but any other suitable concealed fixing may be used.

Use manual screwdriver only.

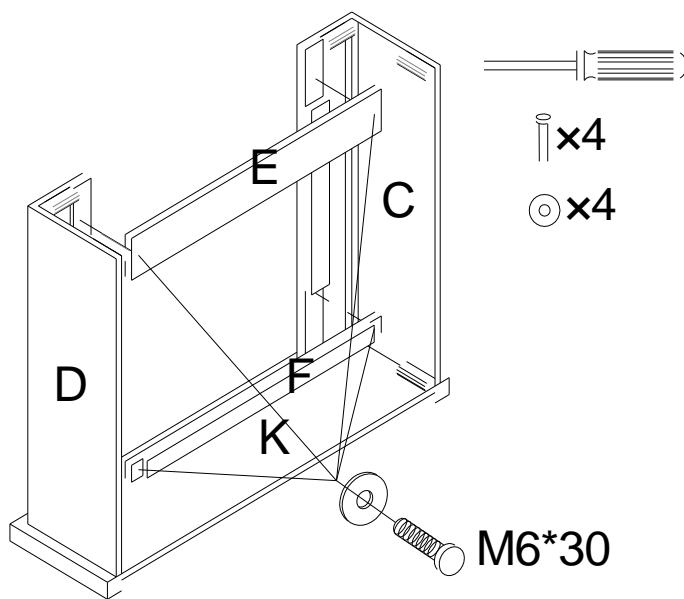
Use washer when fixing with screws. Do not over tighten bolts.

Do not use screws of other types or models, in case that the screws are too long, causing damage to mantles.

Only fit the fire from the back of the fireplace so as not to scratch the mantle.

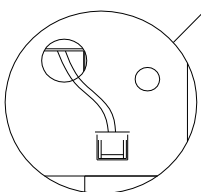
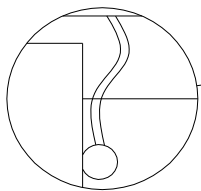


Step 1. Fix the side panels(C&D) onto base panel (K).

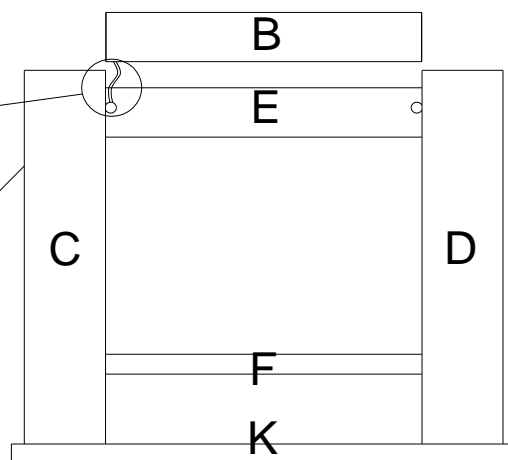


Step 2. Fix the second top panel (E) and second bottom panel (F).

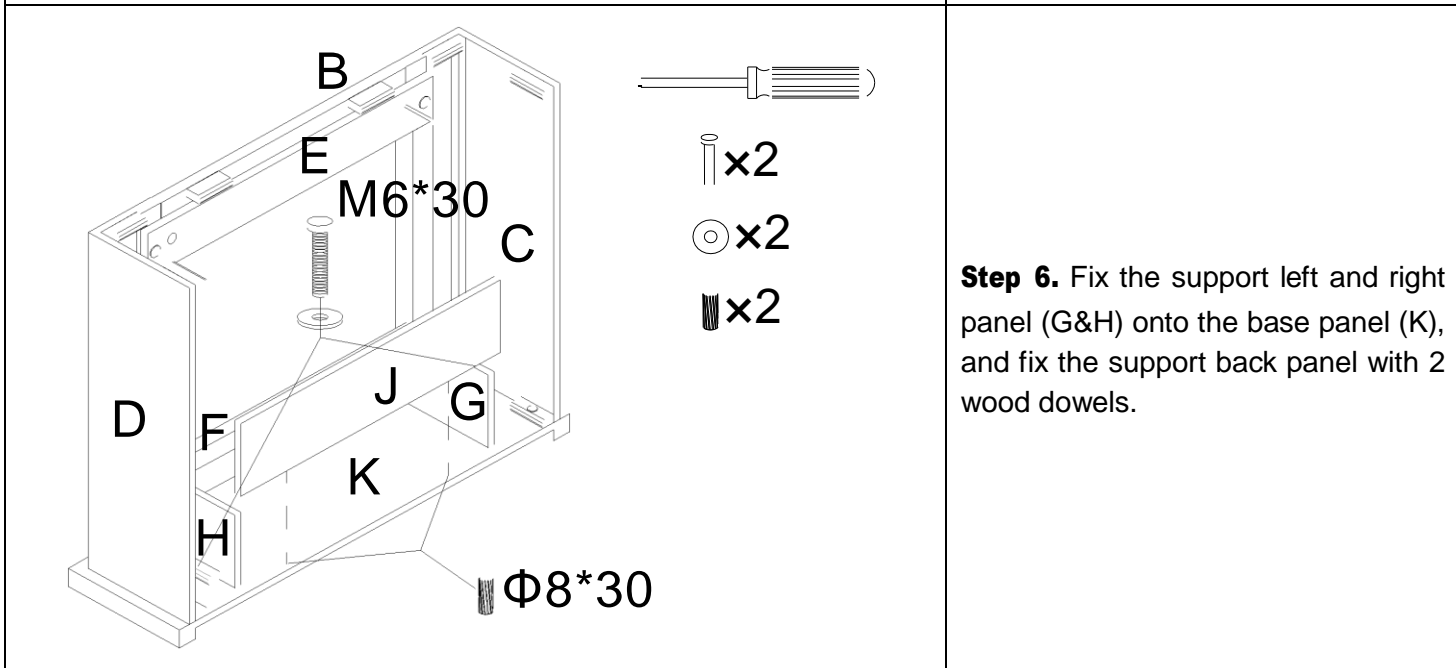
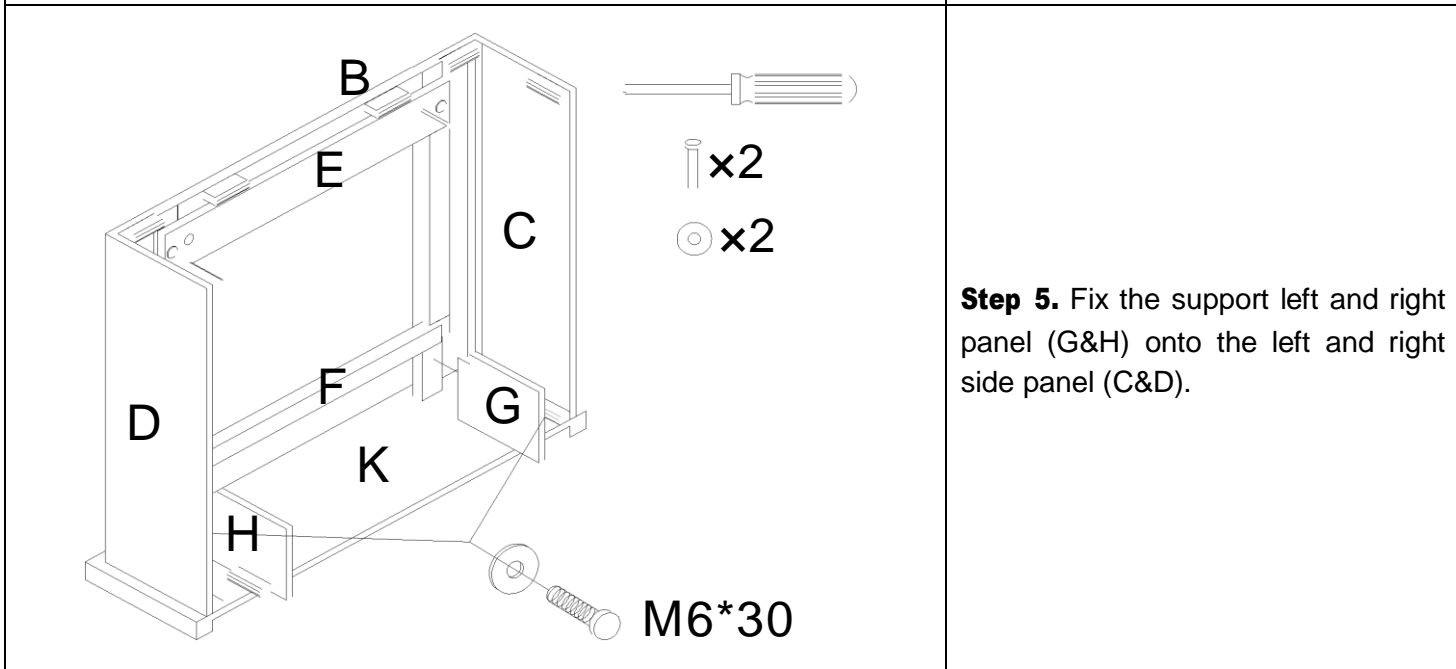
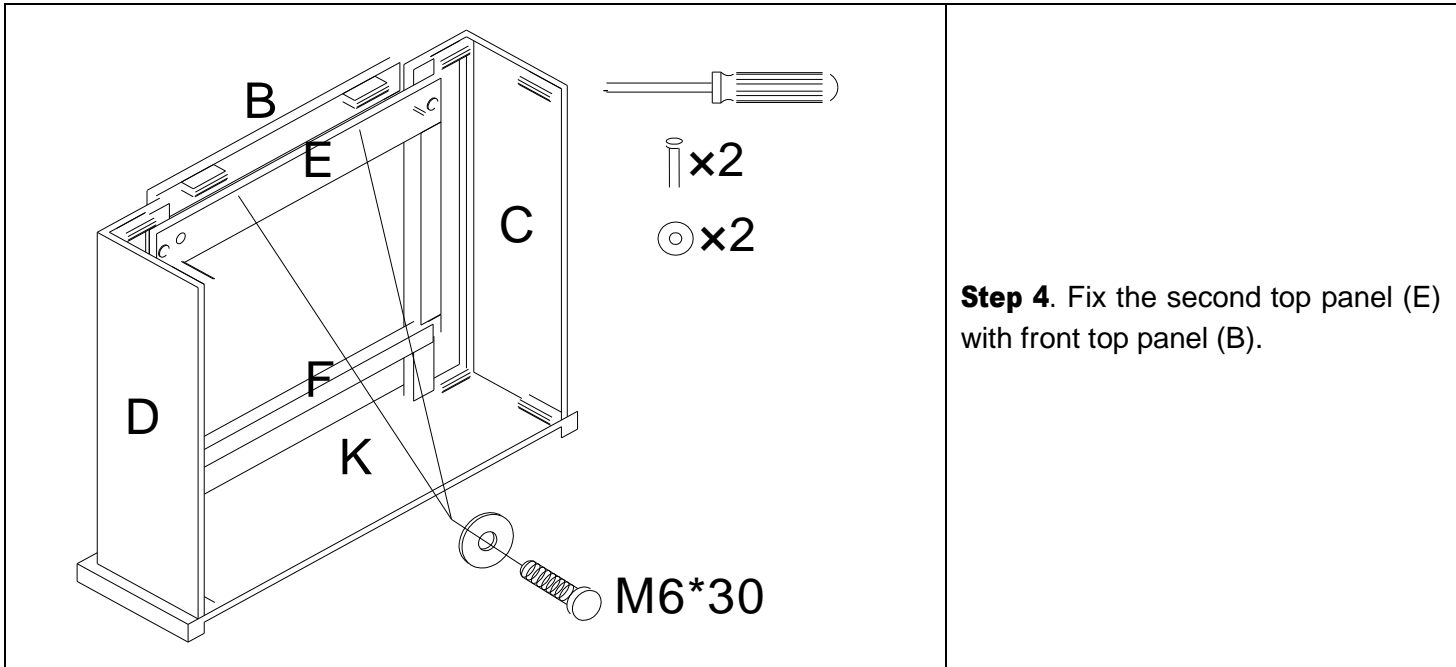
front of mood lighting

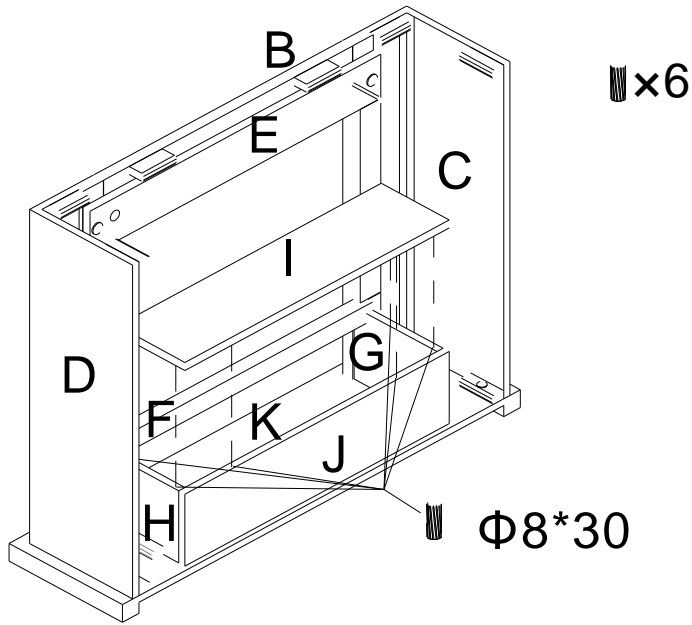


rear of mood lighting

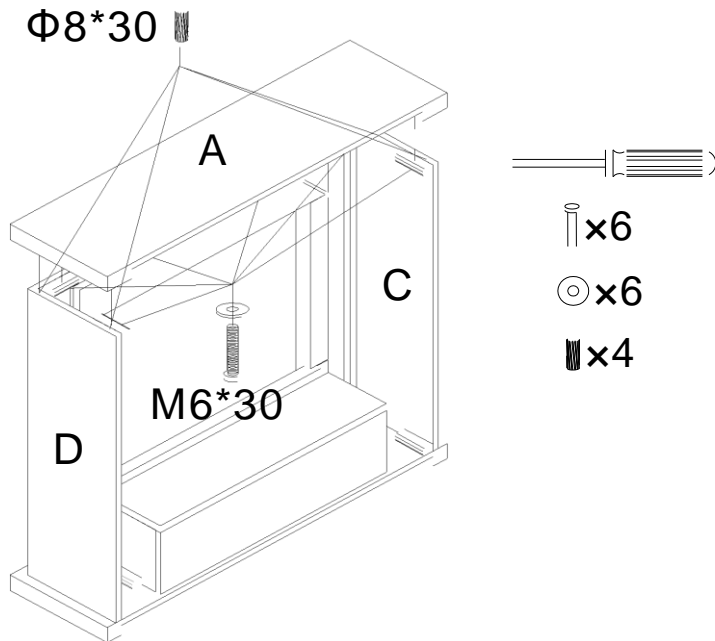


Step 3. Pass the socket and wire of mood lighting through the hole on the left side panel (C) before fixing of front top panel (B). Check that the led strip is still pushed firmly down into position on the self- adhesive pads.

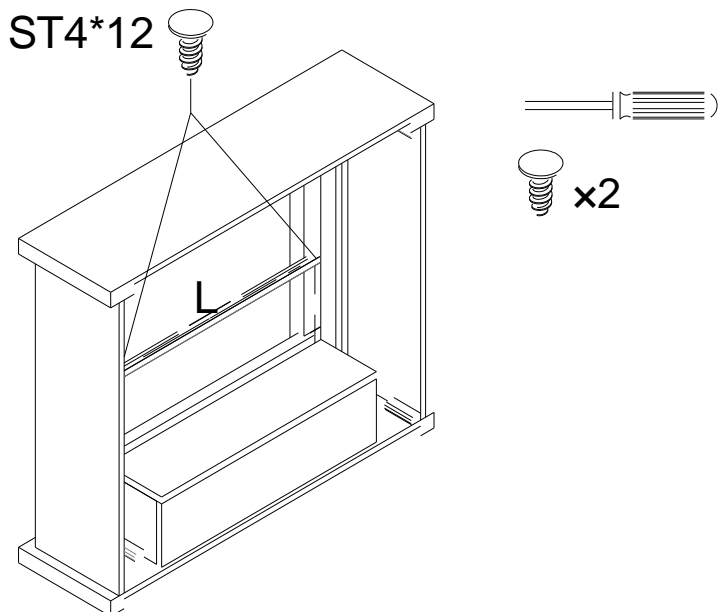




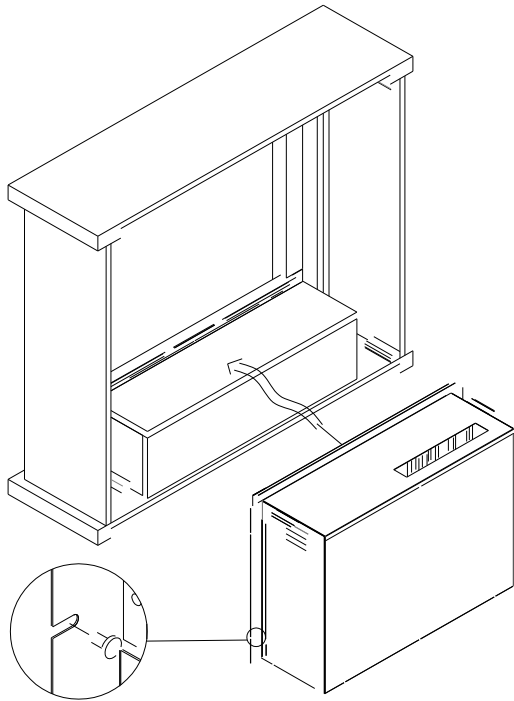
Step 7. Fix the support top panel (I).



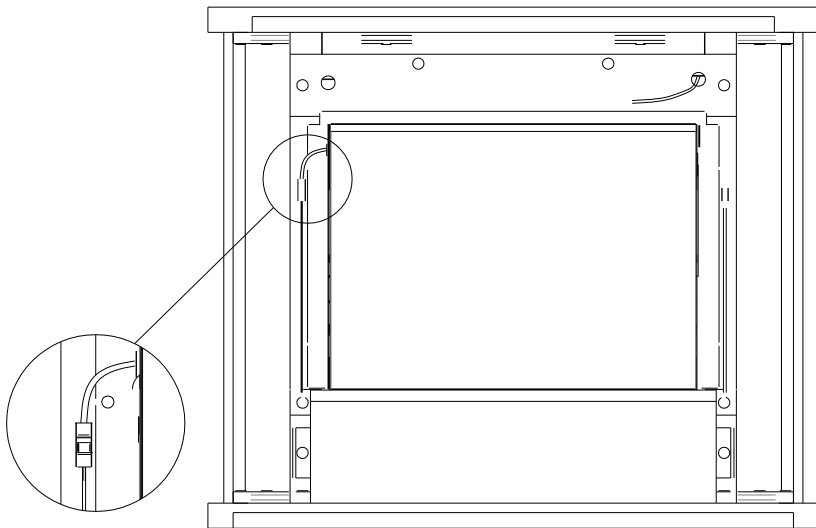
Step 8. Fix the top panel (A).



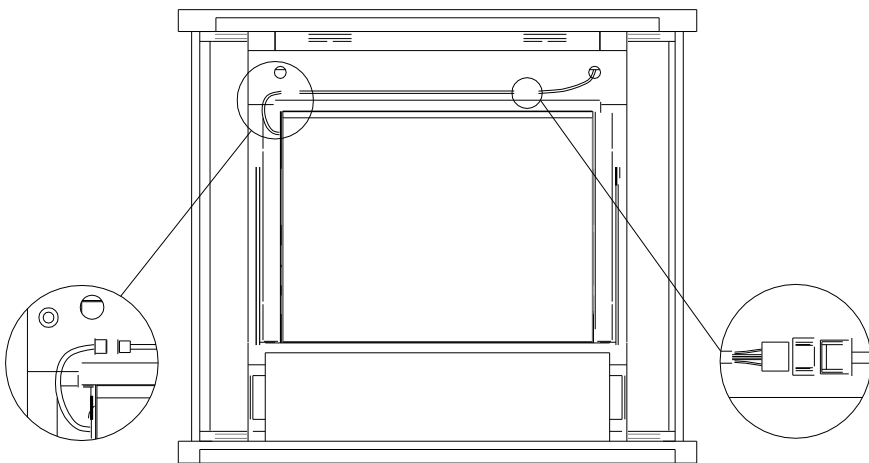
Step 9. Fix the lower moodlight assembly (L) onto the support left and right panel (G&H) with 2 screws.



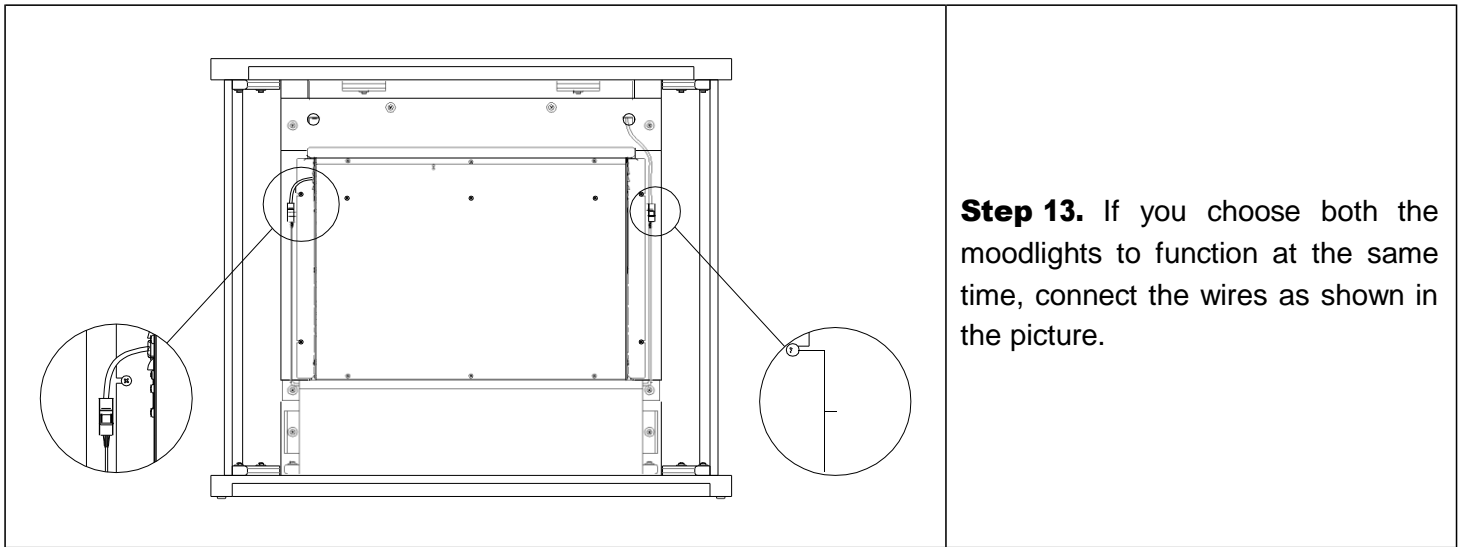
Step 10. Install the fire from back of the mantel, and use 4 screws to fix firmly. (Screws are supplied together with the fire).



Step 11. If you choose just the lower moodlight to function, connect the wires as shown in the picture.



Step 12. If you choose just the upper moodlight to function, connect the wires with the extension lead 460mm as shown in the picture.



Step 13. If you choose both the moodlights to function at the same time, connect the wires as shown in the picture.

SECTION 3 CLEANING & MAINTENANCE

- 1 Your fireplace mantle surface coating will give off a slight smell for a short period of time. Try to ventilate as much as possible during this time.
- 2 Daily cleaning: Clean the mantle surfaces with a soft, lint-free cloth. Do not use cleaning or polishing products and try to avoid heavy or sharp articles which may damage the surface.
- 3 Avoid long-term direct sunlight, and excessive temperatures and humidity to protect the life of your furniture surface.