

INSTALLER GUIDE

LPG (PROPANE) CONVERSION KIT 0591011.

About this kit

- This conversion kit is for use with metal burners.

Contents: -

Description	Spares Number	Quantity	Reference
Pilot injector	5108552	1	Copreci RBM 180 -02 (Stamped 225)
Injector alignment gauge	5108895	1	
Burner assembly	5129128	1	
Injector and carrier assembly	5129129	1	(Injector stamped 116)
Data plate label	5123091	1	

Always turn off the gas supply and allow the appliance to cool completely before commencing any servicing. (The inlet 'T' connector for this appliance incorporates an isolating valve).

Installing the kit

Pilot injector. See figure 1.

You may note that the installer guide supplied with the gas fire states that the pilot must be replaced as a whole assembly and that its individual components are not separately replaceable. When fitting this conversion kit this can be ignored.

1. Support the pilot injector. Unscrew and remove the pilot pipe from the pilot assembly.
2. Support the pilot body. Unscrew and remove the injector nut.
3. Fit the LPG pilot injector.
4. Re-connect the pilot pipe.

Burner and injector

1. Remove the LPG injector and burner from the pack. Screw the LPG injector into the LPG burner.
2. Remove the natural gas burner. To do this support the elbow injector and unscrew the injector nut. Remove the two screws from the burner clamping plate (See figure 2). Lift the right hand side of the burner, slide it to the right and lift clear.
3. Remove the aeration shutter from the Natural gas burner by unscrewing and removing the two screws (See figure 3).

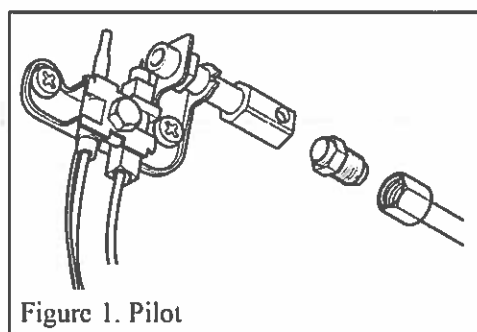


Figure 1. Pilot

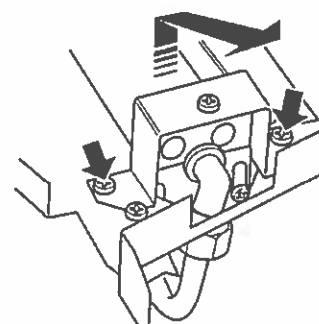


Figure 2. Removal of Natural gas burner.

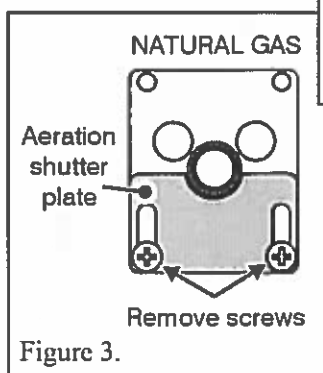


Figure 3.

4. Locate and secure the aeration shutter plate to the LPG burner (See figure 4).
5. Unscrew and remove the burner clamp from the natural gas burner (See figure 5). Fit this to the LPG burner.
6. Fit the LPG burner to the heat engine.
7. The kit contains an injector alignment gauge. It is important that this gauge is used to ensure that the injector is correctly aligned with the burner. Failure to check may result in poor combustion. After fitting the LPG burner place the gauge into the cut out at the side of the burner tray. The slot in the gauge should surround the injector as in figure 6. If the gauge will not fit, the injector alignment will require correction. To do this, support the top of the injector and gently rotate it. Continue to rotate and check with the gauge until correct.

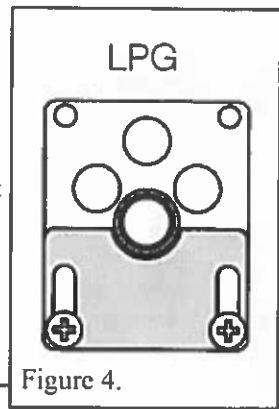


Figure 4.

Data label

1. The data plate is located below the burner. The data label supplied in the kit must cover the relevant / similar information only. Peel off the backing on the LPG data label and place this on top of the relevant area of the data plate.

Important: Always ensure gas soundness, sealing, spillage test and performance are satisfactory in accordance with installer guide supplied with the appliance and with current regulations.

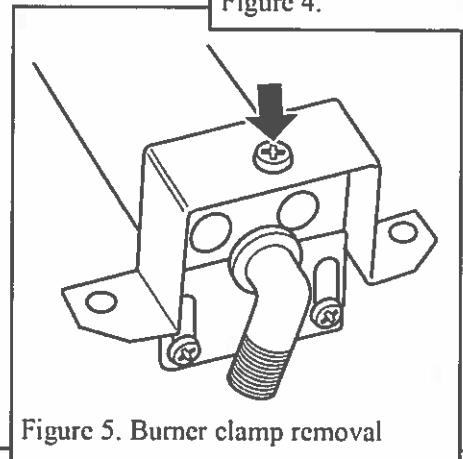


Figure 5. Burner clamp removal

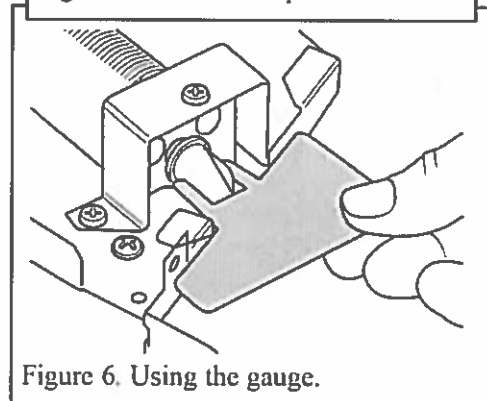


Figure 6. Using the gauge.