

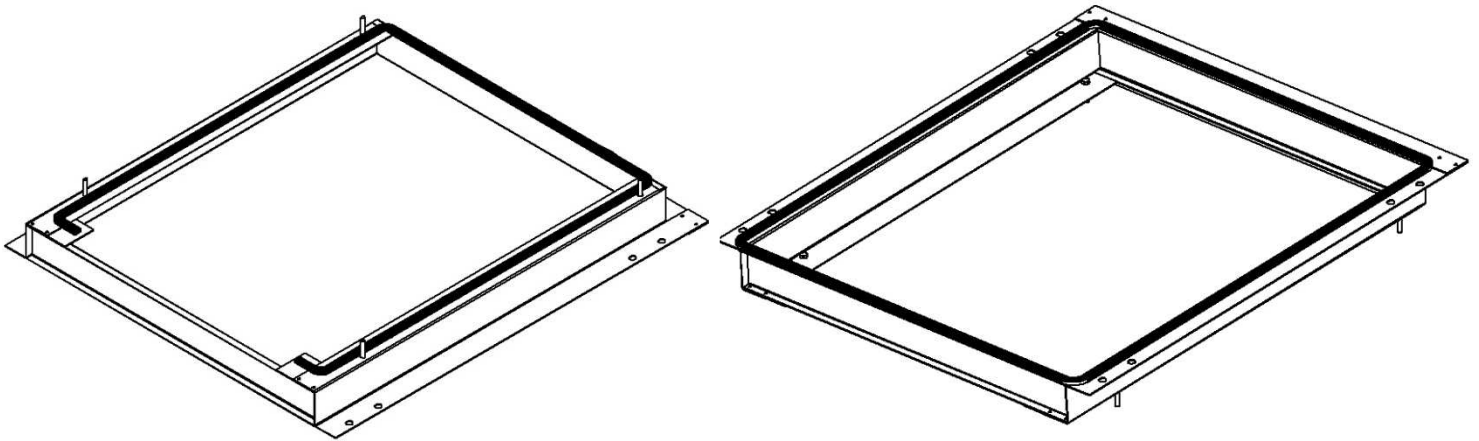
Installation instructions

Apex Liberty Vega Curved Black Glass

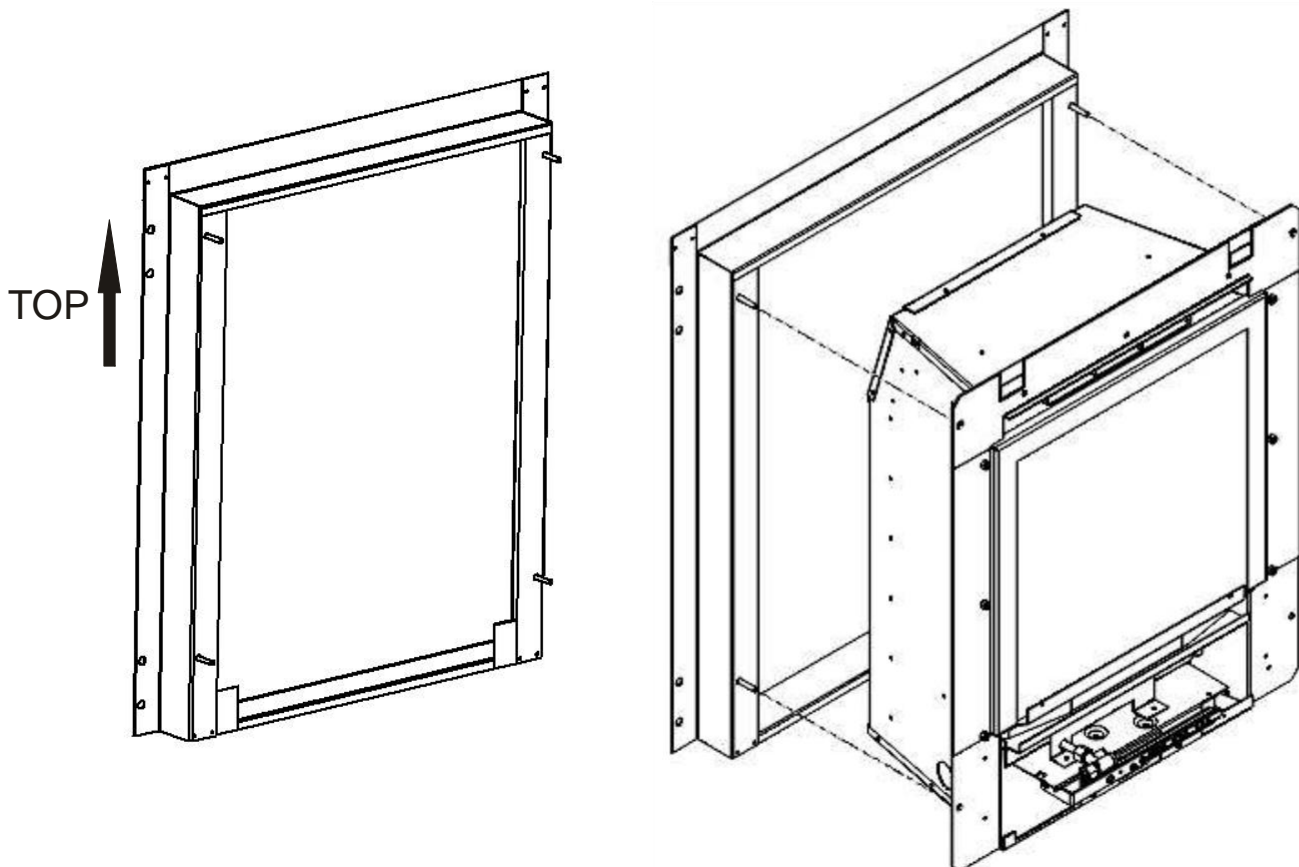
These instructions must be read in conjunction with the Apex Liberty Vega fire instructions.

1. Mounting firebox

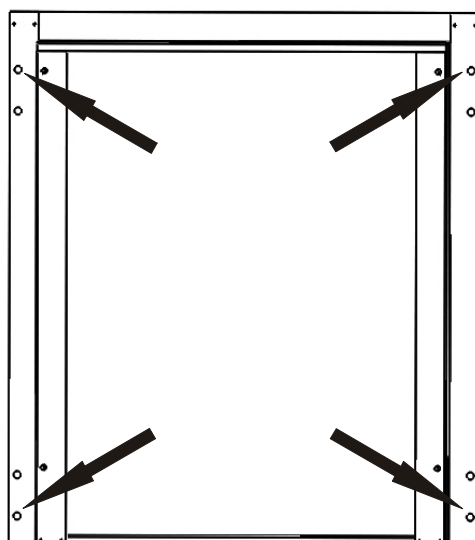
Put provided sealing tape around the spacer bracket on both sides as shown below:



Assemble together firebox and spacer as shown below, secure bolts with M5 nuts provided.

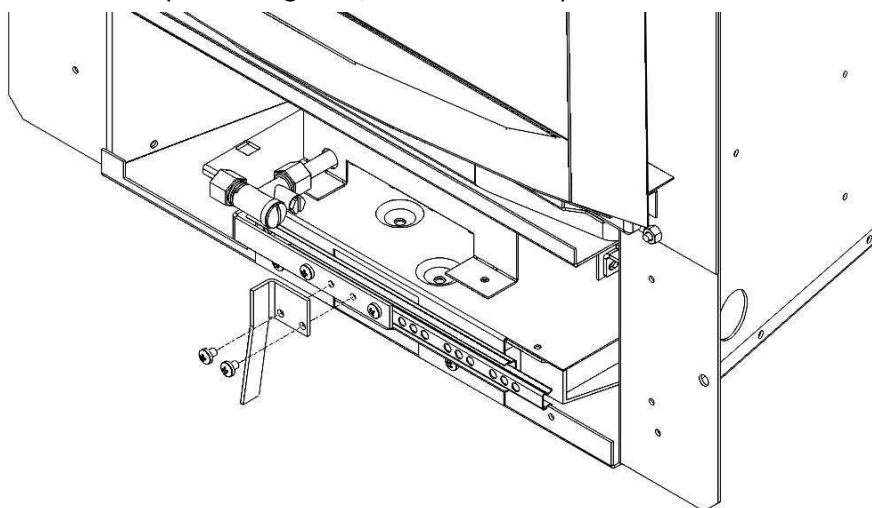


Then put fire into opening, mark, drill holes and fix to the wall with screws provided.



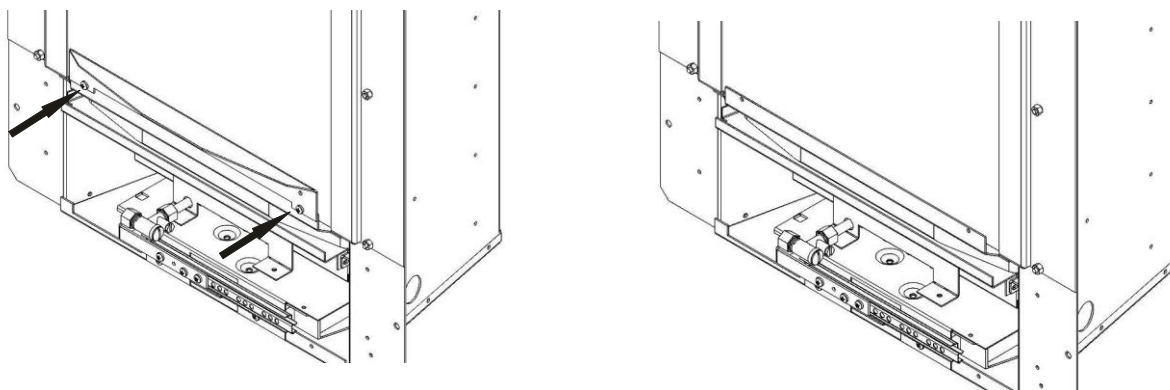
2. Mounting operating handle

Screw handle in place using 2 x 4,2 x 6 mm screw provided as shown below:

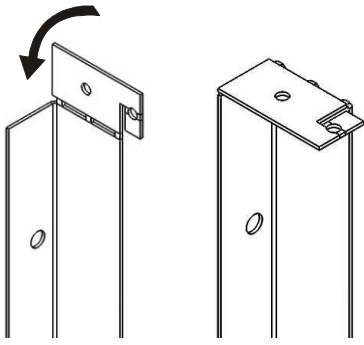


3. Mounting front fascia glass

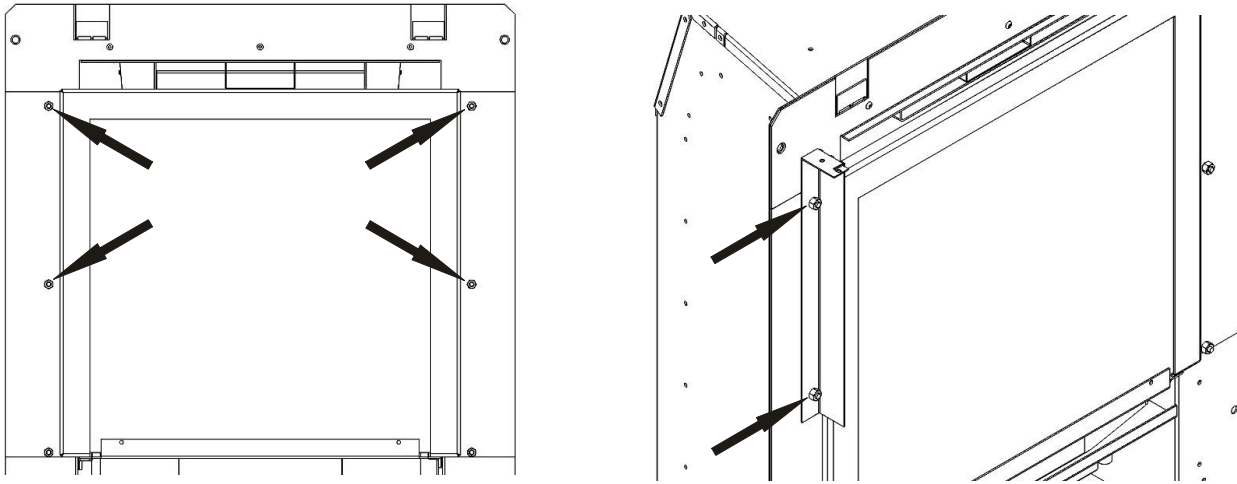
Remove heatshield by taking away 2 screws.



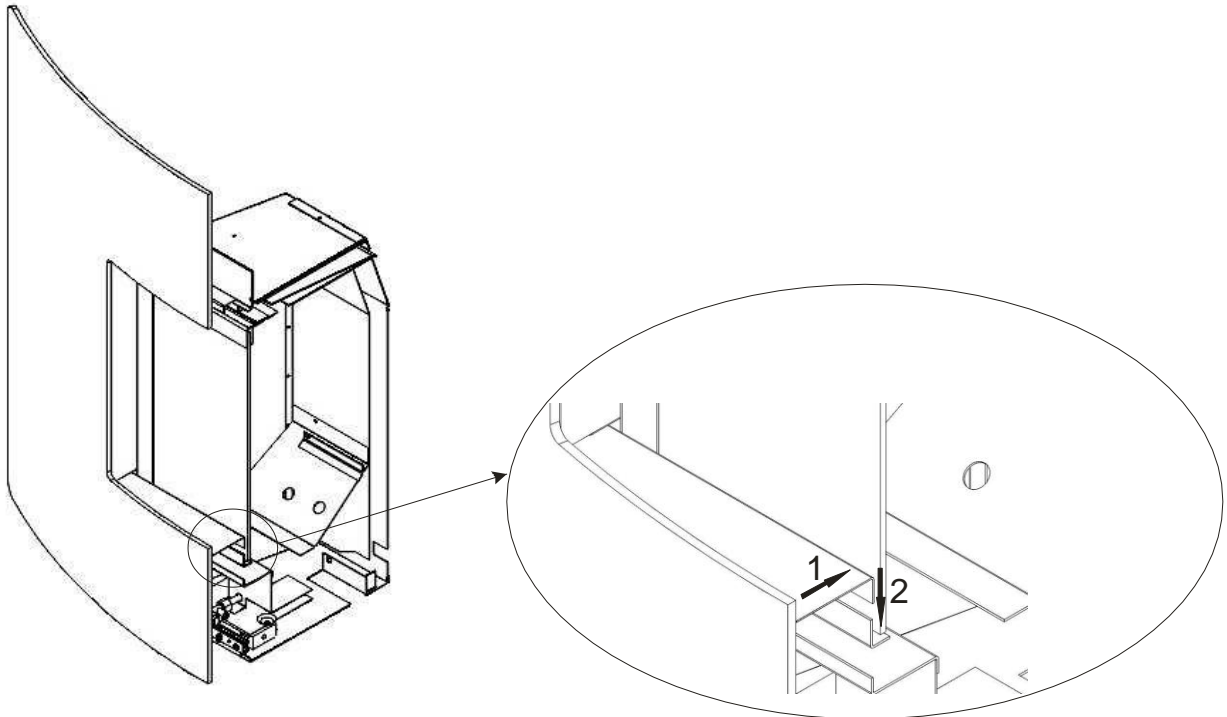
Fold down 2 side brackets as shown below:

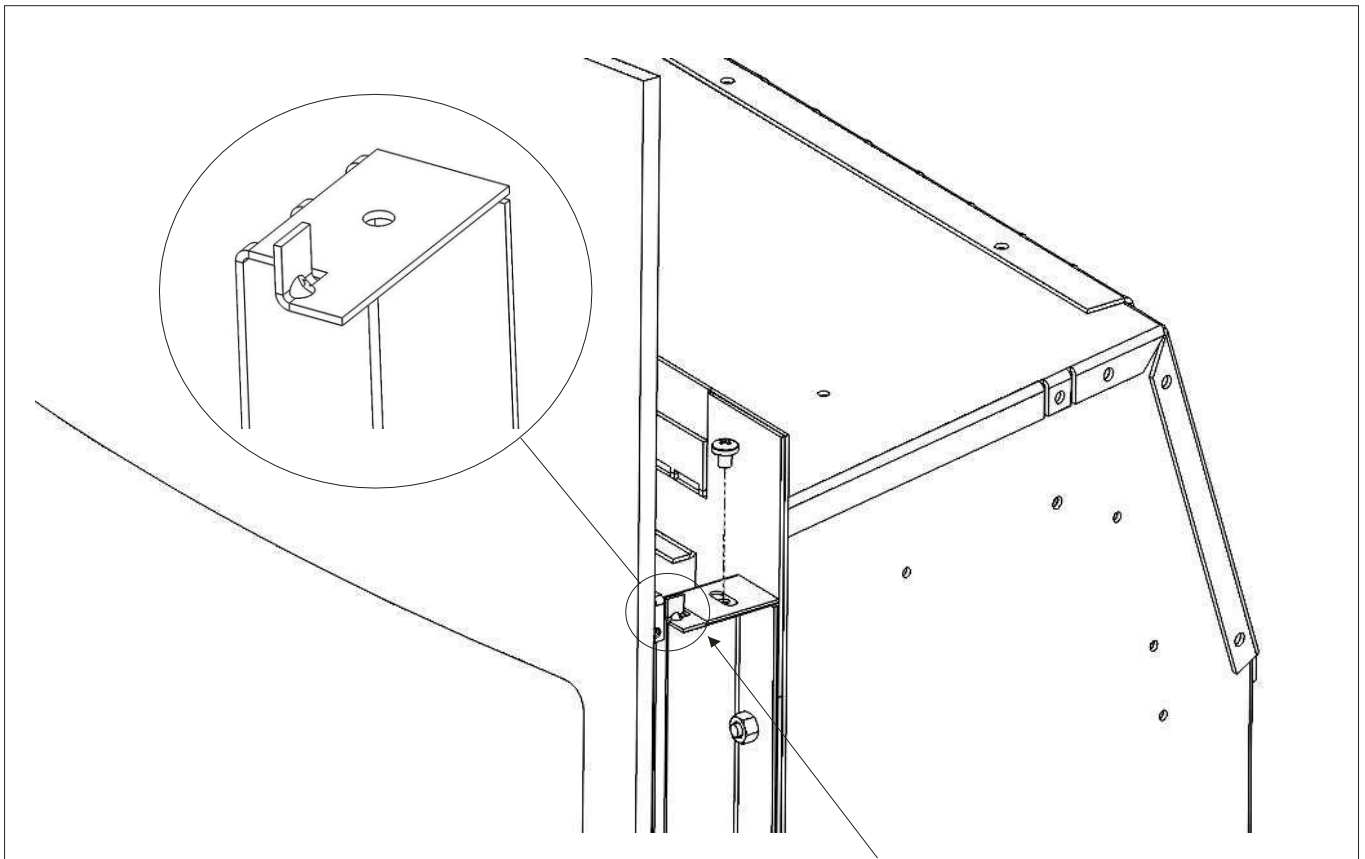
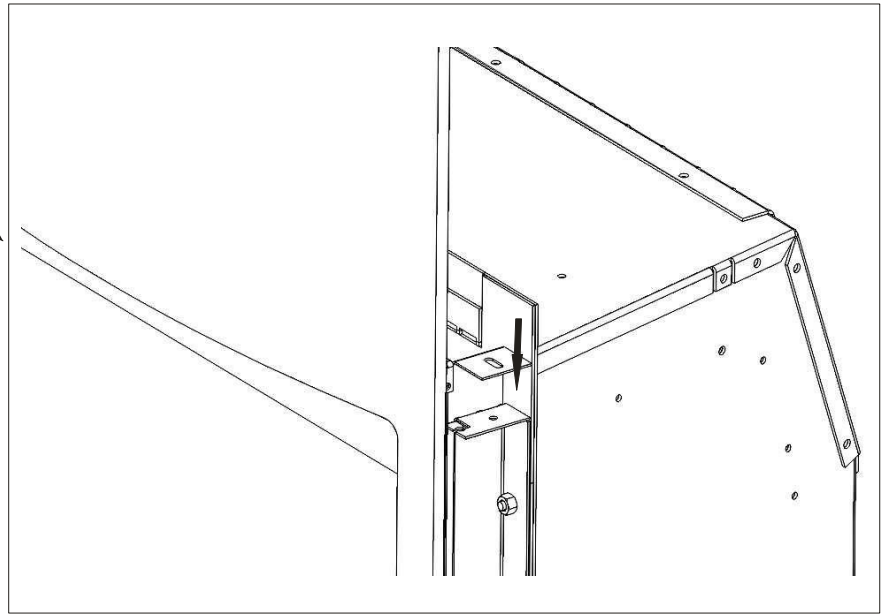
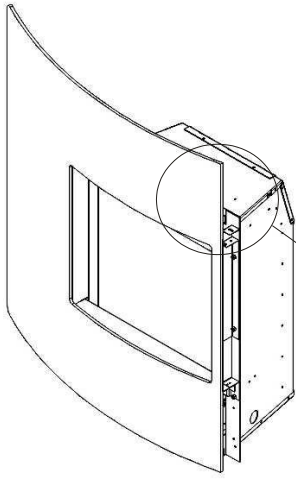


Remove the 4 nuts shown below and reuse them to fix side brackets to the firebox. **Note:** start fixing with top nut first!



Place glass fascia on the fire as shown below, be sure it is attached on bottom hanger and supported on side brackets as shown over page





Secure fascia glass by folding up tabs on side brackets.
Then using 4,2 x 6 mm screws fix it to the bracket.