



Code	BAYSFM-S3
Output	7.5kW
Log length	400mm
Nett efficiency	71.8%
Width	573mm
Height	542mm
Depth	355mm

The graceful Bayswater sets the benchmark for British-built stoves. Solid and reliable yet beautifully detailed and easy to control, the Bayswater will become the heart of your home.

Features

- Lifetime guarantee
- Preheated airwash system for clean glass
- Stainless steel ash pan
- Burns wood or solid fuel
- Externally controlled riddling grate
- Primary and secondary burn to improve efficiency
- Top or rear 127mm (5") flue outlet

Optional Extras

- Add On Canopy - High - [AOCV021]
- Add On Canopy - Low - [AOCV020]
- Add-in Boiler - [AIBV009]
- Arada Ash Carrier - Medium - [ARA017]
- Arada Universal Stand - [STAND002]
- Floor Fixing Kit - [AFS1135]
- Grate Conversion Plate For Bayswater Elite - [VFS102]
- Universal Stand/Log Store - [STAND004]

Bayswater - Technical Information

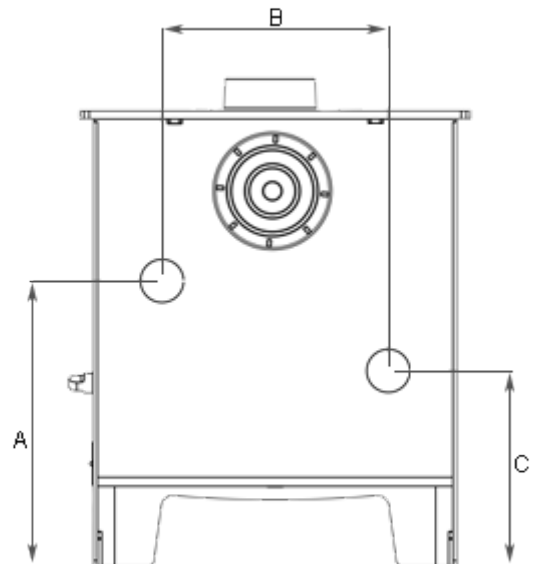
Code	BAYSFM-S3
Output range	1.5-9kW
Nett efficiency	71.8 %
Width	573mm
Height	542mm
Depth	355mm
Height to centre of rear flue	425mm
Height of add on low canopy	180mm
Height of add on high canopy	260mm
Added height when on stand	200mm
Depth of back to centre of top flue	137mm
Flue diameter	127mm
Suitable for 12mm hearth	Yes
Under hearth temperature	61.4°C
Suitable for direct air supply kit	No
Packed weight	80kg
Maximum log length	400mm

Minimum Distance To Combustibles

To rear of stove	760 mm
To sides of stove	500 mm
Above stove	381 mm

Boiler Tapping Measurements

Distance A	433.5 mm
Distance B	372 mm
Distance C	257.5 mm



Add In Boiler Tapping Measurements.
Rear view example shown. Not to scale.