

a new direction  
in gas fire design



the new 'eco' range from

Legendfires 

# Legendfires

THESE STYLISH 100% EFFICIENT GAS FIRES PROVIDE A NO-CHIMNEY SOLUTION TO INSTANT WARMTH THAT SIMPLY HANG ON THE WALL.

The perfect balance of form with function.

The innovative technology behind this 100% efficient gas fire gives you the freedom to create a stunning style statement without the limitations of a flue or chimney.

Designed to hang on virtually any wall, the Eco 500 delivers instant warmth whilst taking up minimal space.

legend eco500



# ECO 5000



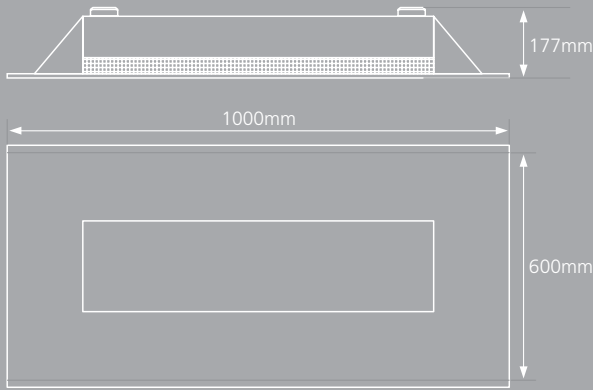
legend eco1000

One look at the ultra-slim wall mounted profile of the Eco 1000 and it is difficult to believe that it can deliver such powerful and instant heat.

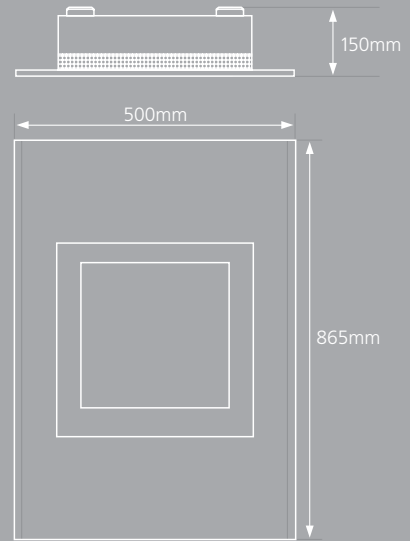
Blending harmoniously into the surrounding environment, the sophisticated flat-glass frame, with strong exterior angles creates a sense of understated elegance for the modern interior.

These glass fronted fires are based on patented catalytic technology that cleans the burnt gas emissions so efficiently that the hot air leaving the combustion chamber to warm the room is actually cleaner than the air taken in. In fact, this process also helps towards creating a cleaner environment by neutralising airborne particles and household odours.

The perfect balance  
between form & function



legend eco1000



legend eco500

## technical specifications

	eco 1000	eco 500
Gas Type	Natural Gas	Natural Gas
Input	2.6Kw	2.6Kw
Output	2.0Kw	2.0Kw
Efficiency	100%	100%
Ignition	Piezo Spark	Piezo Spark
Minimum Room Size	30m <sup>3</sup> (e.g. 11'6" x 11'6" x 8')	23m <sup>3</sup> (e.g. 10'2" x 10'2" x 8')
Additional Ventilation	100cm sq	100cm sq

The simple ease of installation means that this gas fire requires minimal space as there is no need for a chimney, flue or a hearth. This appliance may also be installed with a hearth, if preferred.

Both the Legend Eco 1000 and Eco 500 are 100% efficient as all the heat goes into the room and not up the chimney. Providing there is a gas supply pipe and adequate ventilation they can be installed in rooms where you previously couldn't have a fire.

This appliance may be installed in almost any room in a home, however there are exceptions, and the appliance may not be used in the following rooms:

- Bedrooms - or areas which are mainly used for sleeping.
- Bathrooms - or areas where large amounts of steam are likely to be generated.

Legendfires 



Unit 200, Glenfield Park Site 1, Philips Road,  
Blackburn, Lancashire BB1 5PF

T: 01254 695244 F: 01254 695255  
www.legend-fires.com  
www.platoniccollection.com

