



Code	HERON5M-S3
Output	5kW
Log length	225mm
Nett efficiency	80.9%
Width	370mm
Height	558mm
Depth	355mm

The smallest in the Villager range, the Puffin, and its slightly bigger brother, the Heron, are the perfect companions for smaller living spaces such as cosy shepherd huts, workshops or even, outbuildings. This trusty duo boast character with their miniature charm, warm glow and traditional features. These stoves may be small but their enchanting flames nestled within more than make up for their size.

Features

- Lifetime guarantee
- Preheated airwash system for clean glass
- Stainless steel ash pan
- Burns wood or solid fuel
- Externally controlled riddling grate
- Primary and secondary burn to improve efficiency
- Top or rear 102mm (4") flue outlet

Optional Extras

- Add-in Boiler - [AIB0]
- Arada Ash Carrier - Small - [ARA016]
- Arada Universal Stand - [STAND001]
- Universal Stand/Log Store - [STAND003]

Heron 5 - Technical Information

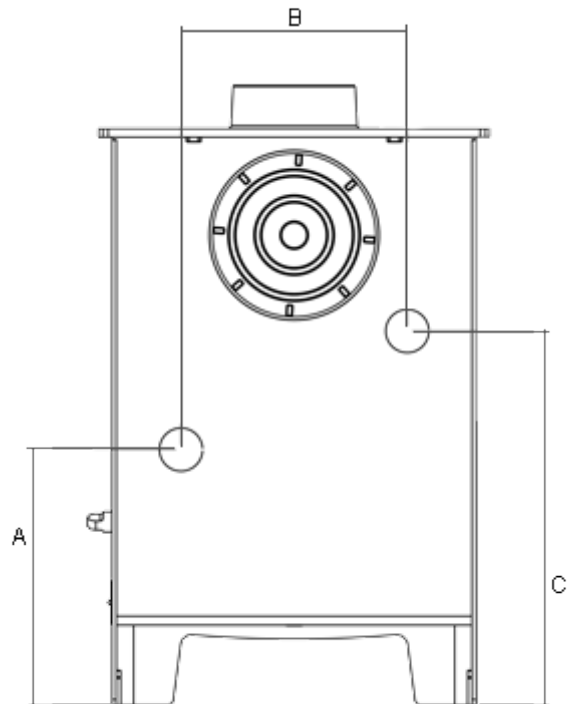
Code	HERON5M-S3
Output range	1-6kW
Nett efficiency	80.9 %
Width	370mm
Height	558mm
Depth	355mm
Height to centre of rear flue	465mm
Added height when on stand	200mm
Depth of back to centre of top flue	74mm
Flue diameter	102mm
Suitable for 12mm hearth	Yes
Under hearth temperature	76.0°C
Suitable for direct air supply kit	No
Packed weight	51kg
Maximum log length	225mm

Minimum Distance To Combustibles

To rear of stove	650 mm
To sides of stove	500 mm
Above stove	306 mm

Boiler Tapping Measurements

Distance A	262 mm
Distance B	210 mm
Distance C	372 mm



Add In Boiler Tapping Measurements.
Rear view example shown. Not to scale.