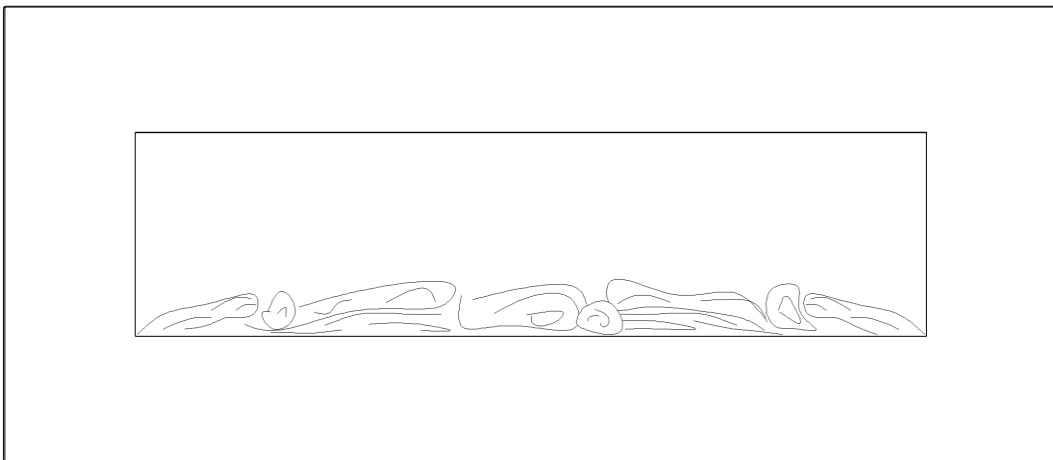


**2kW Wall Mounted Electric Fire
Complete with flat glass front panel**

**Installation Instructions &
Operating Manual**



GEORGIA

**Please read the instructions carefully before the installation or
use of this electric fire and retain for future reference.**

TABLE OF CONTENTS

SECTION 1: WARNINGS & ELECTRIC SPECIFICATIONS	
1.1 Important Safety Instructions	3
1.2 Specifications	4
SECTION 2: INSTALLATION	
2.1 Tools required	4
2.2 Unpacking the Fire	4
2.3 Contents List	4
2.4 Locating Your Electric Fireplace	4, 5, 6, 7,8
SECTION 3: OPERATING INSTRUCTIONS	
3.1 Operating by Manual Buttons	9
3.2 Operating by Remote Handset	10
SECTION 4: MAINTENANCE	
4.1 Remote Handset Battery Replacement	11
4.2 Maintenance of Motors	11
4.3 Reset the overheat protection device.....	11
4.4 Cleaning the Fireplace	11
4.5 Environment.....	11, 12



CAUTION: BEFORE OPERATING THIS EQUIPMENT PLEASE
READ THESE INSTRUCTIONS CAREFULLY.

1.1 Important Safety Instructions



This symbol alerts you to potential hazards that can kill or hurt you and/or others.

DO NOT:

- install or operate damaged heater
- modify heater
- operate the heater without fully assembling all components



WARNING! Improper installation, adjustment, alteration, service or maintenance can cause injury or property damage. Refer to the owner's information manual provided with this heater. For assistance or additional information consult a qualified installer, service agency or your dealer.

NOTICE! This fireplace is not intended for use as a primary heat source and should not be factored as such in residential heating calculations.



WARNING! When using electrical heaters, basic precautions should always be followed to reduce the risk of fire, electric shock and injury to persons, including the following:

IMPORTANT INFORMATION

This heater must not be located immediately below a socket-outlet.

This heater must be earthed. If in any doubt consult a suitable competent person.

This appliance can be used by children aged from 8 years and above and persons with reduced physical, sensory or mental capabilities or lack of experience and knowledge if they have been given supervision or instruction concerning use of the appliance in a safe way and understand the hazards involved.

In order to avoid a hazard due to inadvertent resetting of the thermal cutout, this appliance must not be supplied through an external switching device, such as a timer, or connected to circuit that is regularly switched on and off by utility.

This appliance is not intended for use by persons (including children) with reduced physical, sensory or mental capabilities, or lack of experience and knowledge, unless they have been given supervision or instruction concerning use of the appliance by a person responsible for their safety. Children shall not play with the appliance.

Cleaning and user maintenance shall not be made by children without supervision.

Children of less than 3 years should be kept away unless continuously supervised.

Children aged from 3 years and less than 8 years shall only switch on/off the appliance provided that it has been placed or installed in its intended normal operating position and they have been given supervision or instruction concerning use of the appliance in a safe way and understand the hazards involved. Children aged from 3 years and less than 8 years shall not plug in, regulate and clean the appliance or perform user maintenance.

Some parts of this product can become very hot and cause burns. Particular attention has to be given where children and vulnerable people are present.

Do not use this fire as a free-standing appliance. It must always be fixed to the wall, fireplace mantel, floor etc.

Do not cover this heater, or obstruct the air inlet or outlet, otherwise there is a risk of overheating.

Do not use the heater outdoors or in the immediate surrounds of a bath, shower, or a swimming pool.

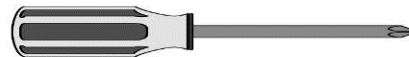
1.2 Specifications

Voltage	220-240 V AC, 50 Hz
Total Amps	8.7 AMP
Total Watts.....	2000 W atts
Mains Cable.....	1 x 1.8m (approx)
Illumination	LED system (no replaceable parts)
Dimensions.....	1280mm L x 138mm W x 550 Hmm

SECTION 2 INSTALLATION

2.1 Tools required

Magnetic Phillips Screw Driver



Rotary Hammer



2.2 Unpacking the Fireplace



WARNING! Do NOT use this appliance if any part has been under water. Immediately call a qualified service technician to inspect and to replace any part of the electrical system if necessary.

Keep plastic wrapping away from children.

Open the packaging carefully and remove the foam.
Remove and discard the plastic bag.
Be responsible when handling the packing materials.
Keep the original packaging for future transport and/or storage.
Check that all the following parts are included.

2.3 Content List

Plastic Wall Plug ϕ 8*40	6pcs
Screw ST5 \times 40	6pcs
Screw ST4 \times 10	2pcs
Remote control	1pc
Battery	2pcs
Installation and Users manual	1pc

2.4 Locating Your Electric Fireplace

Your new electric fireplace may be installed virtually anywhere in your home. However, when choosing a location ensure that the general instructions are followed. For best results, install out of direct sunlight.

If the power cord is damaged, it must be repaired by the manufacturer, its authorized service centre or professional person.

Make sure that the plug or switched fused spur is accessible after the electric fire is fitted.

Make sure that the rating corresponds to that of the mains supply and that the fuse rating is correct

The appliance should be located close to a suitable mains socket to enable connection. The electrical socket must be easily accessible to allow disconnection.



WARNING! Keep curtains and other furnishings at least 0.9m from the front and side of the electric fireplace.

Clearance to Combustibles

Sides	100mm / 4 ins.
Floor	400mm / 15 3/4 ins
Top	200mm / 8 in.
Back	0mm / 0 in.

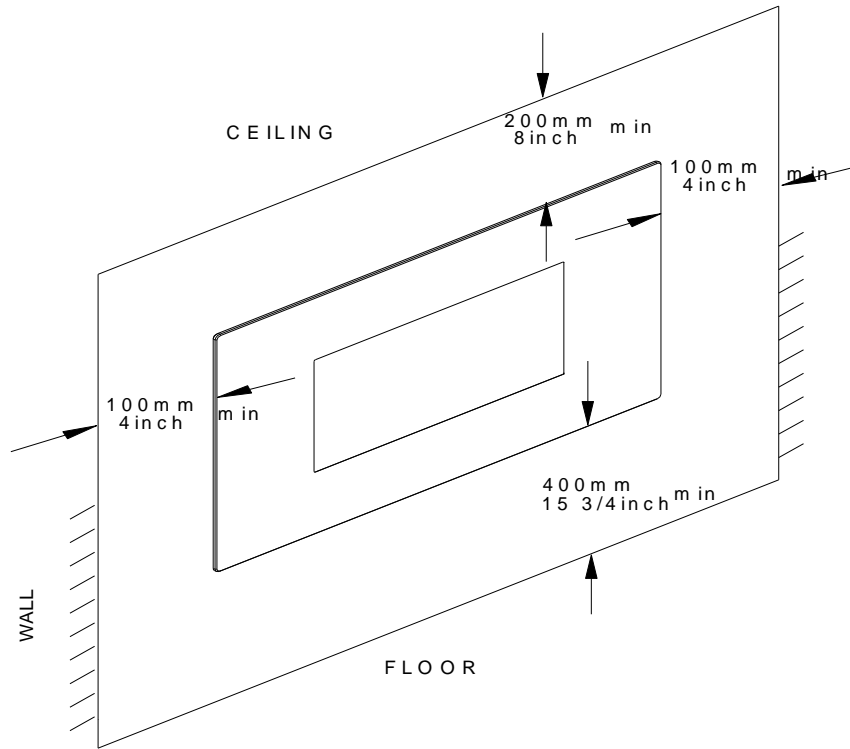


Fig. 1

Installing your fire

Open the carton and take out the product. Unscrew the wall mounting bracket and keep the three screws.

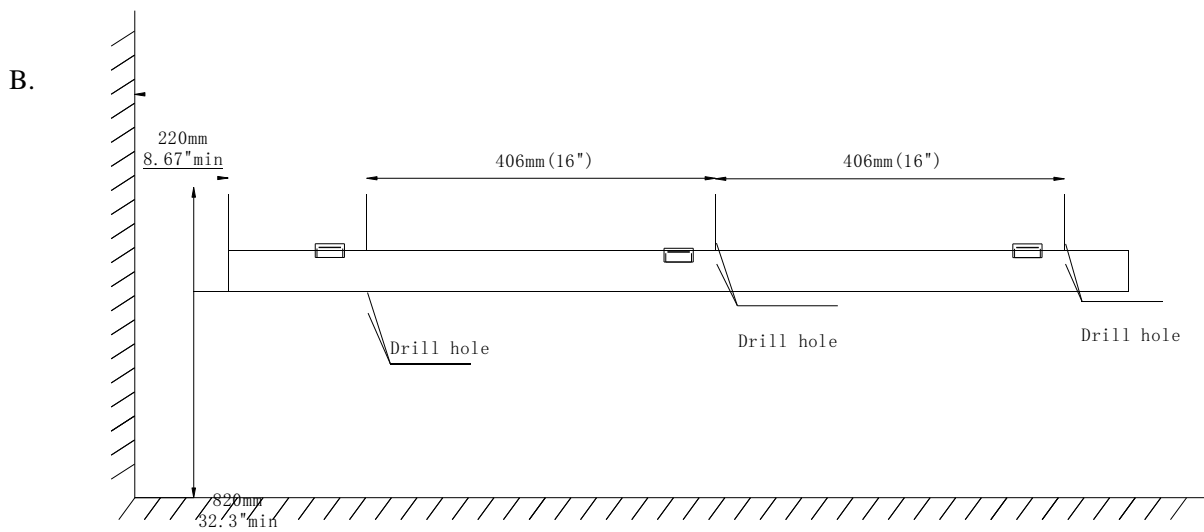
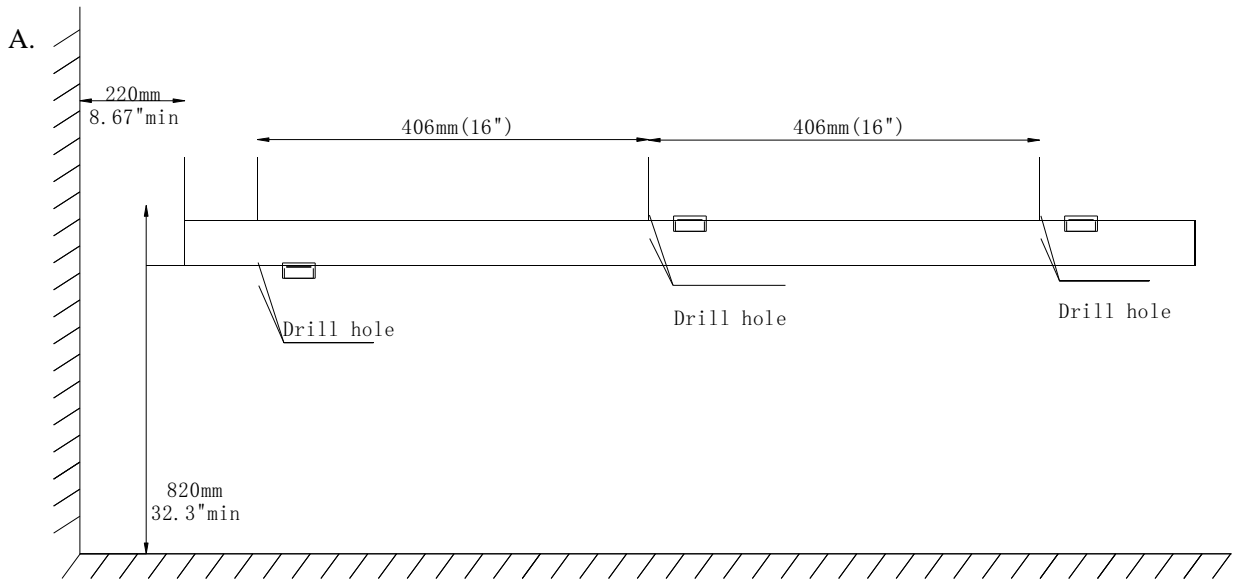
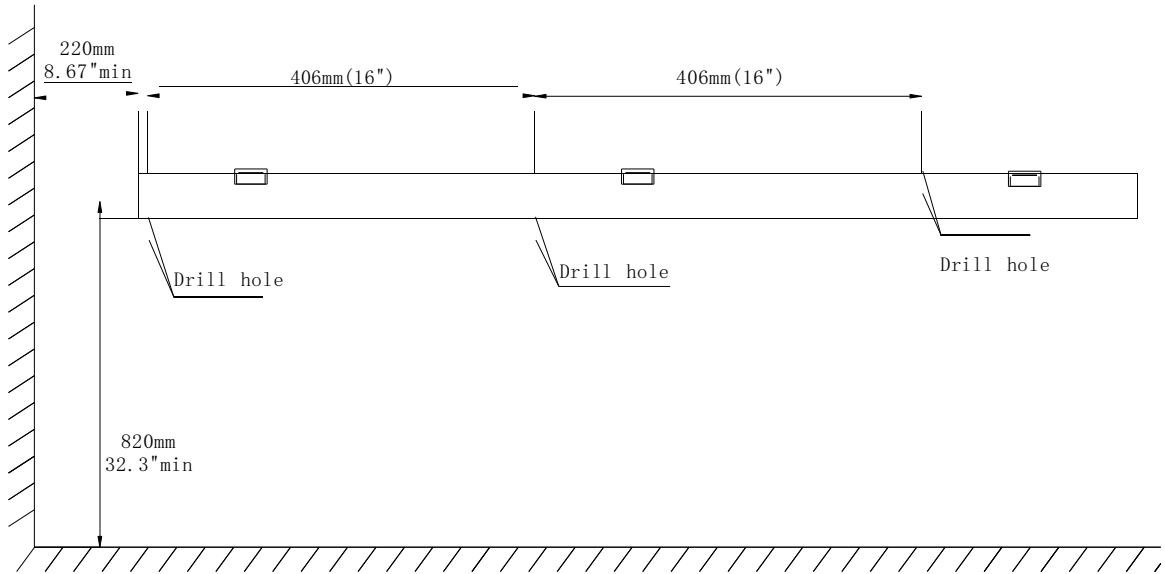
Please note the wall mounting bracket is attached to the back of the fire by three screws.

Choose a solid wall or use suitable plasterboard fixings to fix the wall mounting bracket in the position where you want to install the fireplace. There are four kinds of methods for drilling the holes, drill the two holes every 406mm. Mark the 6 hole positions with a pencil, through the bracket on the wall.(Fig. 2)

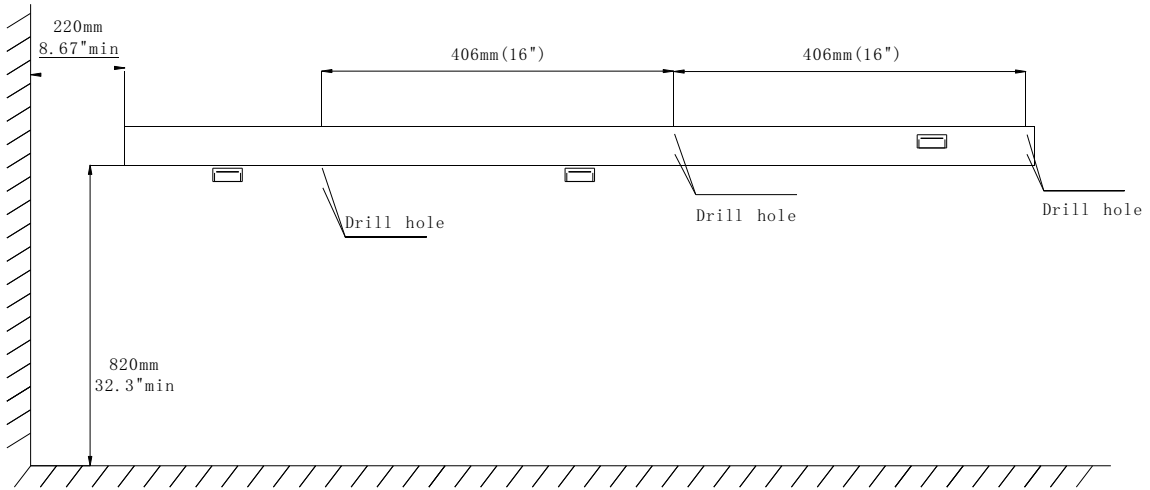
Take away the bracket and then drill 6pcs $\Phi 8$ holes in the wall. Tap the plastic wall plugs into the holes. If the wall is solid wood, it is not necessary to drill the holes or use the plastic wall plugs. Then the bracket is hung on the wall by the ST5X40 screws. (Fig. 3)

Fit the slots in the back of firebox over the hooks on the bracket, and carefully hang the firebox on the bracket. Then secure the screws on both sides. (Fig. 4)

Hang the flat panel glass on the firebox, and secure it with 2pcs ST4X10 screws.(Fig. 5)



C.



D.

Fig. 2

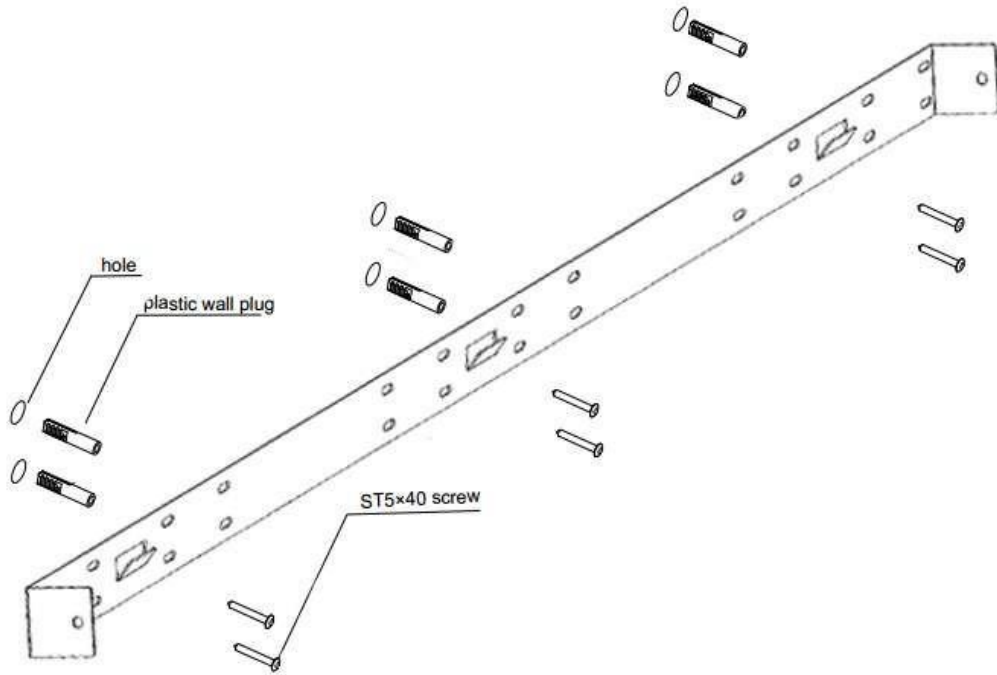


Fig.3

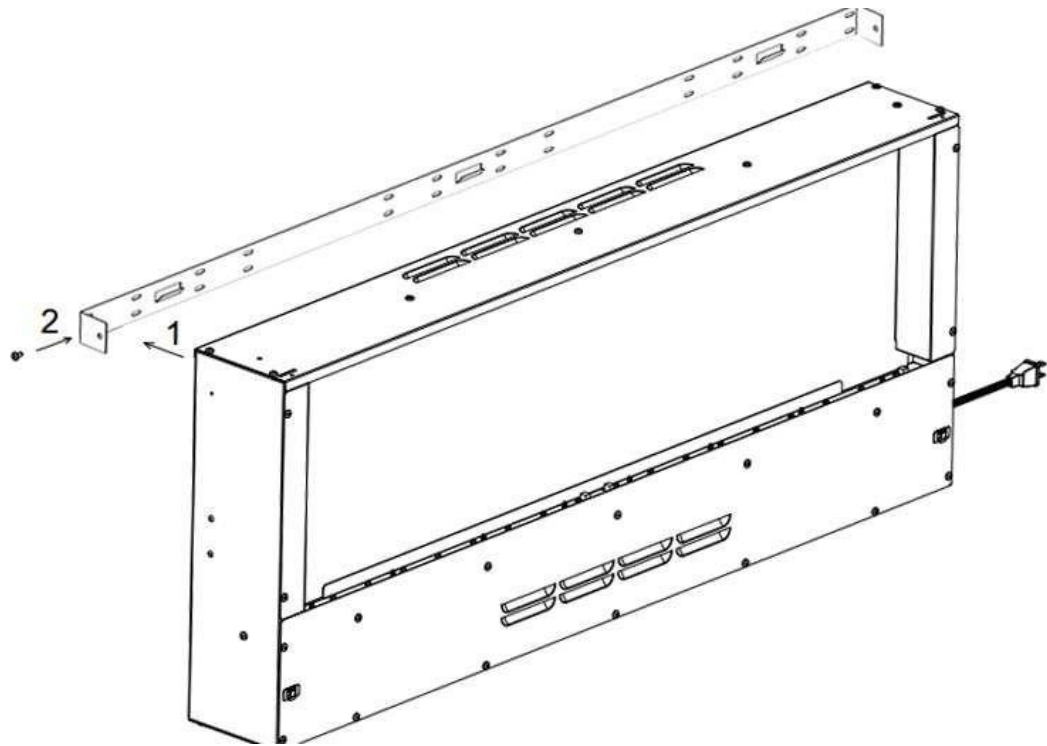


Fig. 4

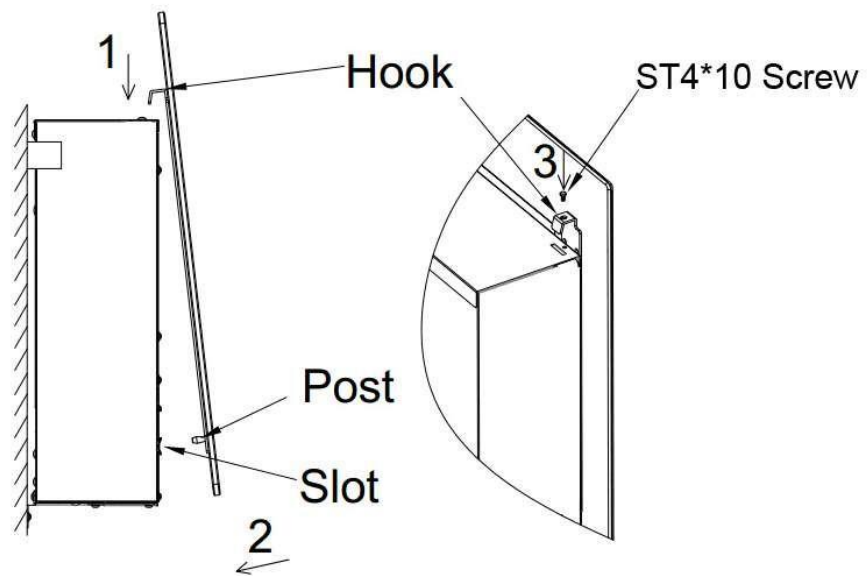


Fig. 5

SECTION 3 OPERATING INSTRUCTIONS

This appliance can be operated by both remote control and manual button. Once the unit has been properly connected to an earthed electrical outlet, turn on the main switch located on the left hand side of the appliance. A beep should be heard when the power is first applied.



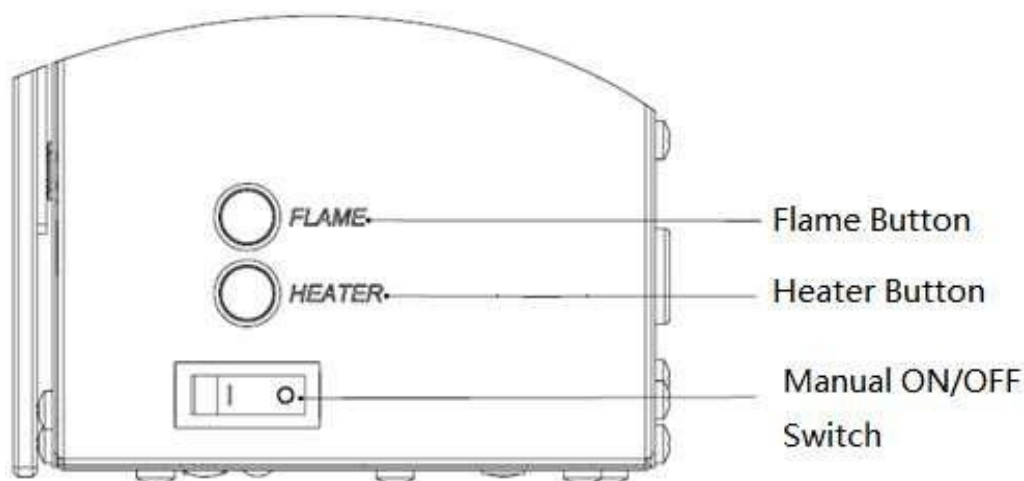
Warning! This appliance must be earthed.



WARNING! Do not operate the unit if it is damaged or has malfunctioned. If you suspect the unit is damaged, please call a qualified service technician to inspect and to replace any part of the electrical system if necessary.

NOTE! To use both remote and manual functions the manual on/off switch must be in 'ON' position.

3.1 Operating by Manual Button



MANUAL ON/OFF SWITCH

This switch supplies power to all the functions of the fire. The switch must be in the on position for any of the functions including the remote to work.

FLAME BUTTON

The fire has four flame effect settings. Pressing the flame effect button will cycle the fire through each effect.

HEATER BUTTON

Press once and the heater fan turns on, and 10s later the element will switch on to the low setting. (Pilot lights illuminated ●○);

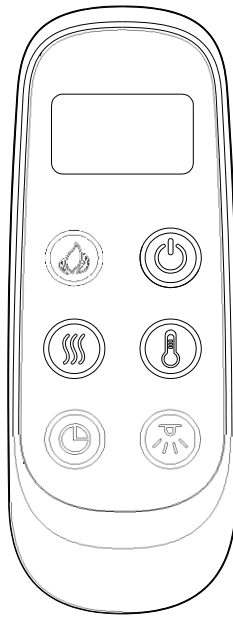
Press again turns on High heat. (Pilot lights illuminated ●●);

Press again and it will turn the heat off. 10s later the heater fan will turn off (Pilot lights illuminated ○○);



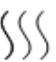



There are 3 levels you can cycle through including the OFF setting.

3.2 Operating by Remote Handset

**Make sure the batteries are installed properly in the remote control.
The effective range of the remote control is up to 4 metres or 13 feet.**



Multifunction Infrared Remote Handset

ICON	TITLE	FUNCTION
	POWER	Press once and the fire will turn on. Press again the fire turns off.
	FLAME	The fire has four flame effect settings. Pressing the flame effect button will cycle the fire through each effect.
	HEATER	Pressing once will turn the heater fan on. 10secs later the element will switch on to the low heat setting. (Pilot lights illuminated on fire screen ●○) Press again turns on high heat. (Pilot lights illuminated on fire screen ●●) Press again and it will turn the heat off. 10secs later the heater fan will turn off. (Pilot lights illuminated on fire screen ○○) There are 3 levels you can cycle through including the OFF setting.
	TEMP	Digital display shows the TEMP setting 23°C (default), with 14 settings circle from "OFF", "16°C" to "28°C". The TEMP will increase by 1°C up to 28°C when pressed each time. By pressing the TEMP for 3S, the digital display can show between °C and °F.
	TIMER	Once the fire has been switched on, the timer can be set to switch off the fire for the following delay periods. 0.5H, 1H, 2H, 3H, 4H, 5H, 6H, 7H, 8H, to 9H.
	MOOD LIGHT	By pressing the backlight button the unit will cycle through 13 colour effects including OFF setting.

SECTION 4

MAINTENANCE



Warning: Before any maintenance and/or cleaning the exterior of the fireplace, disconnect the unit from the power supply and leave until cooled off.

4.1 Remote Handset Battery Replacement

Replace with two AAA batteries. Make sure the batteries are installed correctly in the remote control.

4.2 Maintenance of Motors

The motors used on the fan and flame effect are pre-lubricated for extended bearing life and require no further lubrication. **Periodic cleaning/vacuuming of the fan/heater unit is recommended.**

4.3 Reset the overheat protection device

Your heater includes a protection device that shuts off the heater if it overheats for any reason:

To reset the heater

- 1) Turn off the unit.
- 2) Unplug unit and wait for 5 minutes.
- 3) Plug back in and turn on.

Ensure that the appliance is functioning correctly. If the fire still does not come on, check that the heater/fan inlet and outlet grill are not blocked with hair/lint. Clean/vacuum. If the fire still does not work, the appliance must be checked by a competent Electrician

4.4 Cleaning the Fireplace

You can clean the exterior of the fireplace with a soft, damp, lint-free cloth. Do not use cleaning or polishing products. To remove fingerprints or other marks on the front glass panel, use a soft, damp, lint-free cloth with a good quality household glass cleaner. The front glass panel should always be completely dried with a clean, lint-free cloth or paper towel.



Caution: Do not use abrasive cleaners on the glass panel. Do not spray liquids directly onto any surface of the unit.



Warning: An authorized service representative should perform any other servicing.

4.5 Environment



Meaning of crossed –out wheeled dustbin:

Do not dispose of electrical appliances as unsorted municipal waste, use separate collection facilities. Contact your local government for information regarding the collection systems available. If electrical appliances are disposed of in landfills or dumps, hazardous substances can leak into the groundwater and get into the food chain, damaging your health and well-being. When replacing old appliances with new ones, the retailer is legally obligated to take back your old appliance for disposals at least free of charge.



This fire complies with the European Safety Standards (LVD) EN 60335-2-30 and the European Electro Magnetic Compatibility (EMC) EN 55014-1, EN 55014-2 and EN 61000-3-2 and EN 61000-3-3 which covers the essential requirements of the EC Council Directives and 2014/30/EU.