

FIREFOX 8 CLEAN BURN INSTALLATION AND OPERATING INSTRUCTIONS

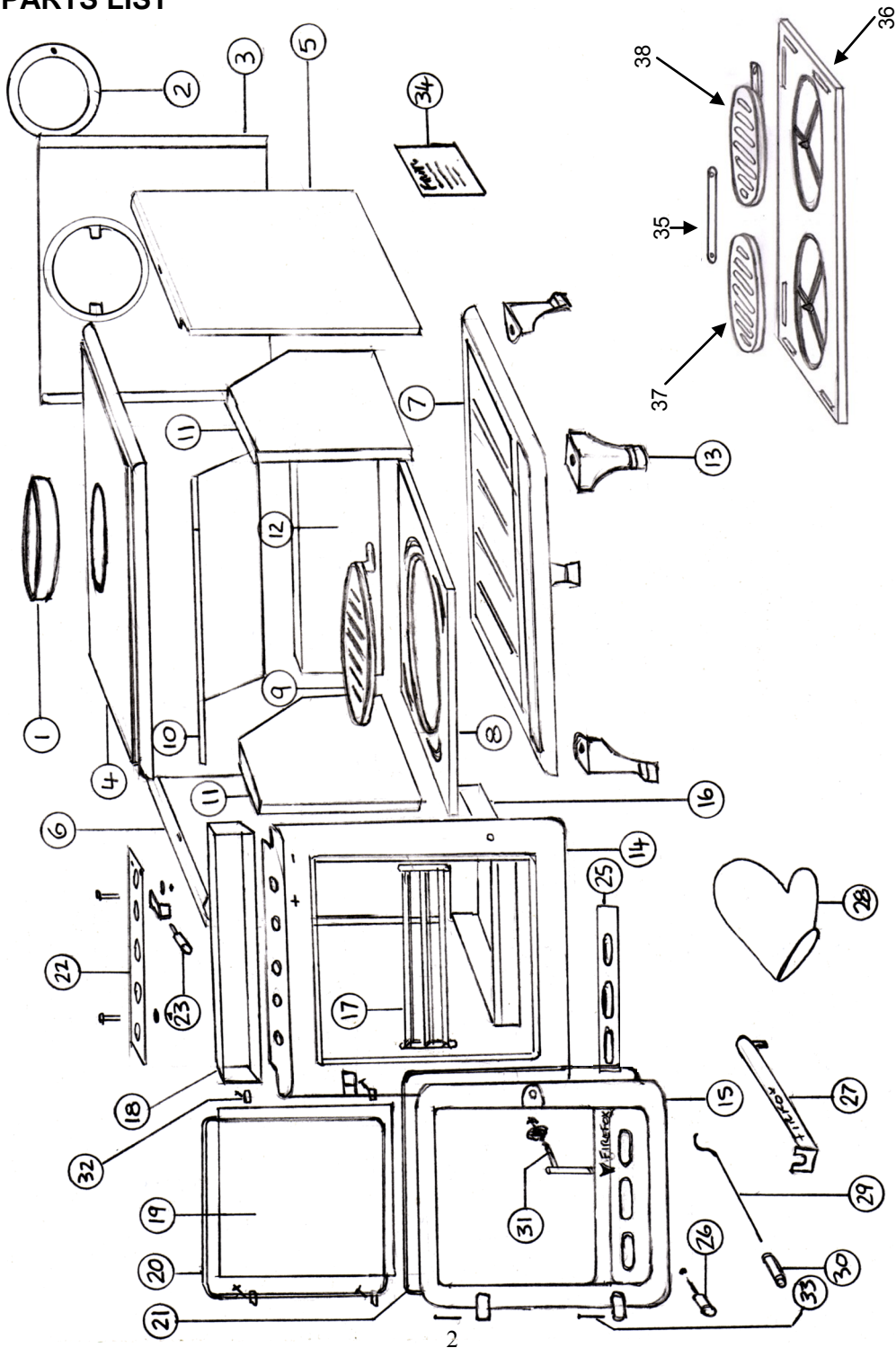
(to be left with the householder)



CE APPROVED

This stove operates at very high temperatures. All persons including children and the infirm should be warned of this and not be allowed to touch any surfaces whilst in use. The operator must use the tools provided. The mitten provided is a tool.

PARTS LIST



Flue Gas Temp at Spigot	Flue Gas Mass Flow	Flue Diam	Ventilation Reqt	Ventilation Reqt with draught stabilizer
407°C	5.5 g/s (wood) 9.4 g/s (ancit)	150mm 6 inches	2145mm ² * 3.32in ²	4815mm ² 7.46in ²
As tested to the requirements of EN13240 for intermittent use.				

* See approved document J for detailed guidance, especially when installing in newer build properties.
 ** For newer build properties this may need to be higher if the designed permeability of the home is less than 5 m³/h.m².

Output	Output kW	Cycle Hours
Anthracite	8.42	4
Wood Logs (less than 20% moisture)	8.9	1
Coal (E)	6.5	4
Peat (E)	8.38	2
Closed Fire Briquettes	8.64	4
Outputs stated are under ideal test conditions. Variations will occur due to installation, atmospheric conditions and fuel quality. (E) - estimate calculated		

Essential characteristic	Performance	
Test fuel	Beech	Anthracite
Fire Safety	Pass	Pass
Emission of combustion products, related to 13% O ₂	CO: 0.27 vol% Dust: 53 mg/m ₀ ³	CO: 0.10 vol% Dust: 65 mg/m ₀ ³
Surface Temperature	Pass	Pass
Thermal output / Energy efficiency	9kW / 73.4%	7.9kW / 77.7%
Release of dangerous substances	Pass	Pass



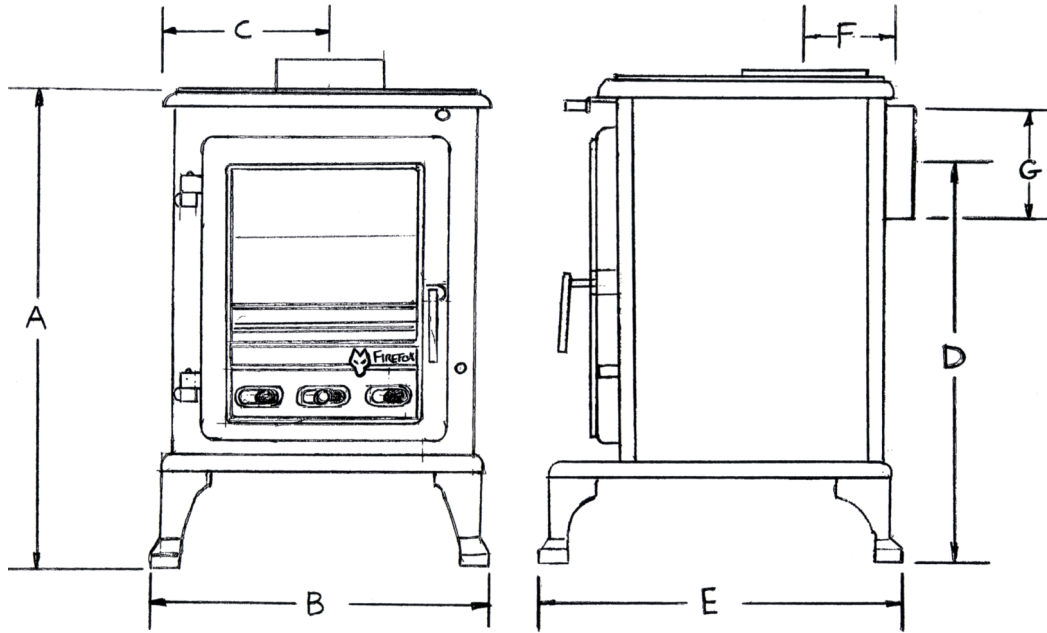
Percy Doughty & Co.
 Imperial Point, Express Trading Estate,
 Stone Hill Road
 Farnworth, Bolton, BL4 9TN

Telephone 01204 868550 Fax 01204 868551

email sales@percydoughty.com web www.percydoughty.co.uk

DIMENSIONS

Flue pipe requirement (minimum) diameter:
150mm (6 inch) nominal diameter



Dims, mm	A	B	C	D	E	F	G	Weight	Max Fuel Load Ancit	Max Fuel Load Wood	Minimum Flue Draught
	607	566	283	485	363	140	164	90 Kg	8.64 Kg	1.7Kg	12 Pa 0.048 In Wg
Dimensions may vary slightly, the manufacturers reserve the right to adjust them without notice.											

Key To Dimensions

A—Height
B—Width
C—Centreline of Flue
D—Height To Centre of Rear Flue
E—Depth
F—Rear to Centre of Top Flue
G—Flue Diameter

See back page for flue data, ventilation requirements and stove outputs

PARTS LIST

1	FFX8008	Flue Collar
2	FFX8009	Flue Blanking Plate
3,5,6	FFX8001	Stove Body (Rear,Right,Left Panel)
4	FFX8003	Stove Top Panel
7	FFX8002	Stove Base Panel
10	FFX8007	Stove Baffle Plate
11	FFX8012	Side Brick
12	FFX8013	Back Brick
13	FFX8010	Leg
14,15	FFX8004	Stove Door + Front Panel
16	FFX8014	Ash Pan
17	FFX8011	Front Bar
18	FFX8024	Secondary Air Duct
19	FFX8018	Door Glass
20	FFX8027	Glass Seal
21	FFX8026	Door Seal
22	FFX8023	Secondary Air Slide
23,26,30	FFX022	Primary, Secondary + Riddling Knob Set
25	FFX8020	Primary Air Slide
27	FFX029	Operating Tool
28	FFX1	Mitten
29	FFX015	Grate Riddling Rod
31	FFX8016,	Door Handle Assembly
32	FFX019	Door Glass Retaining Tabs
33	FFX028	Hinge Pin
34	-	Stove Identification Label (non-replaceable)
35	FFX8030	Grate Connecting Bar
36	FFX8005	Grate Support Plate
37	FFX8006L	Grate (LH)
38	FFX8006R	Grate (RH)

ASSEMBLY OF STOVE

Remove legs, collar and blanking plate from stove and fit in desired position. The collar can be fitted top or rear. When using the top flue the inverted half collar must be fitted to the underside of the flue opening, with the open half of the collar facing the rear of the stove.

The legs can be fitted at front of ash lip or rearward. To make easier for handling on installation, remove baffle plate, side bricks, back brick and door. Place in a secure place to avoid damage. Refit after installation.

STOVE INSTALLATION, OPERATING & MAINTENANCE INSTRUCTIONS

IMPORTANT: THIS APPLIANCE MUST BE INSTALLED BY A COMPETENT PERSON AND MUST COMPLY WITH NATIONAL BUILDING REGULATIONS AND LOCAL BY-LAWS. UNLESS THE INSTALLER IS QUALIFIED TO APPROVE INSTALLATION THEN APPROVAL MUST BE SOUGHT FROM YOUR LOCAL BUILDING CONTROL DEPARTMENT. THE SUPPLIERS ACCEPT NO RESPONSIBILITY IF THIS ADVICE IS NOT COMPLIED WITH. THIS APPLIANCE HAS BEEN EXTENSIVELY TESTED FOR SAFETY AND EFFICIENCY, DO NOT ATTEMPT TO MODIFY IT. ALWAYS USE GENUINE REPLACEMENT PARTS AS RECOMMENDED BY YOUR SUPPLIER. FAILURE TO ADHERE TO THIS ADVICE COULD INVALIDATE YOUR GUARANTEE.

HEALTH AND SAFETY PRECAUTIONS

Special care must be taken when installing the stove such that the requirements of the Health and Safety at Work Act are met.

Handling

Adequate facilities must be available for loading, unloading and site handling.

Fire Cement

Some types of fire cement are caustic and should not be allowed to come into contact with the skin. In case of contact wash immediately with plenty of water.

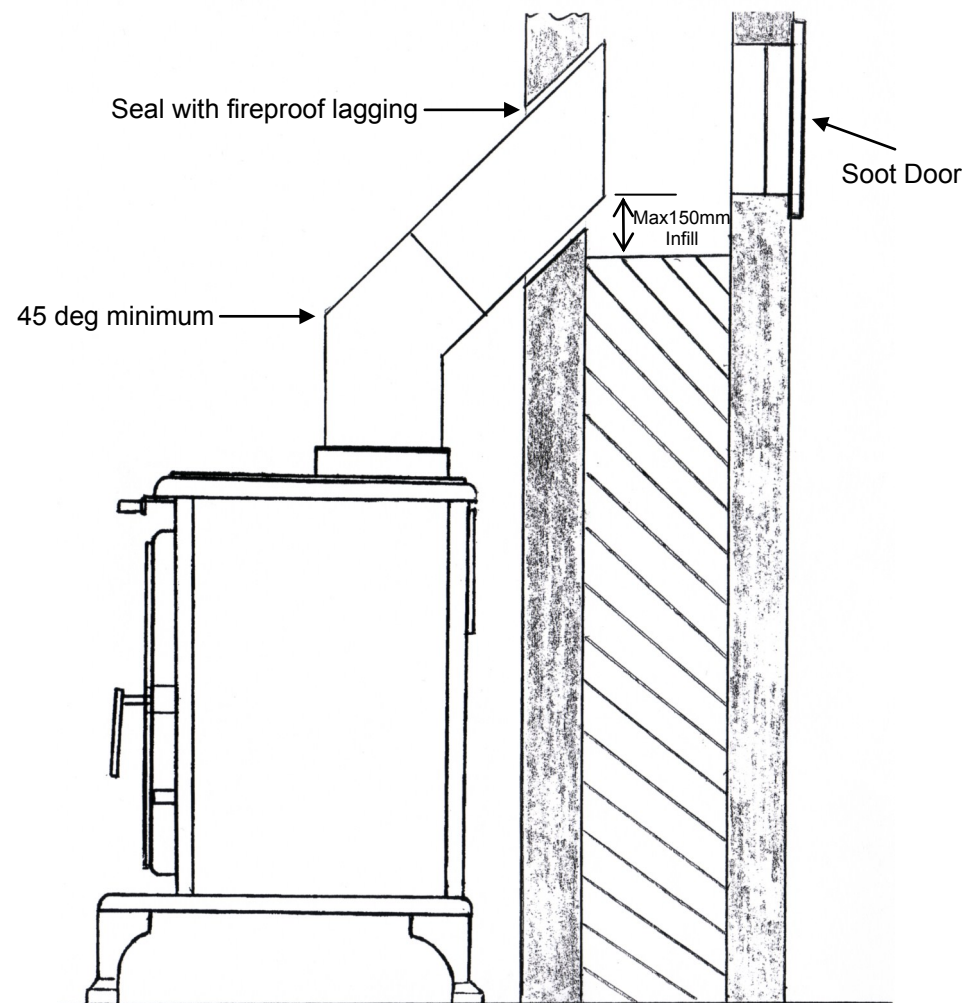
Asbestos

This stove contains no asbestos. If there is a possibility of disturbing any asbestos in the course of installation then please seek specialist guidance and use appropriate protective equipment.

Metal Parts

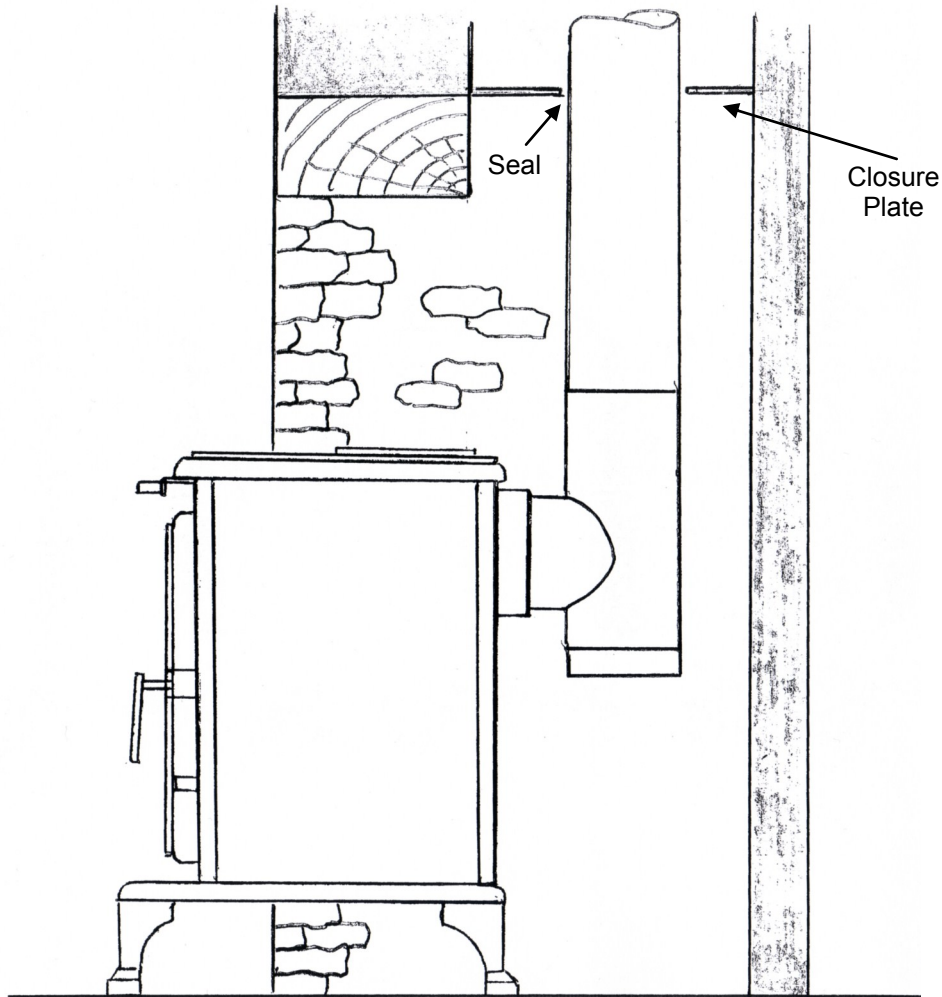
When installing or servicing this stove care should be taken to avoid the possibility of personal injury.

Typical Installation Into Infilled Masonry Fireplaces



Typical Installation For Inglenook Fireplaces

Inglenook fireplaces can have very large bore chimneys. Check with your installer—you may need a stainless steel flexible liner for solid fuel fitting.



INSTALLATION INSTRUCTIONS

All installations must be undertaken in accordance with British Standards: BS EN 15287-1:2007 - design, installation and commissioning of chimneys; BS 8303 - code of practice for installation of domestic heating and cooking appliances burning solid mineral fuel.

Check the chimney is in good condition, dry, free from cracks and obstructions. The diameter of the chimney flue should not be less than 150mm and not more than 230mm. If any of these requirements are not met, the chimney should be lined by a suitable method.

The chimney height and the position of the chimney terminal should conform to Building Regulations.

A flue draught of minimum 12 Pascals and a maximum of 15 Pascals water gauge is required for satisfactory appliance performance. The flue draught should be checked under fire at high output and if it exceeds the recommended maximum, a draught stabiliser must be fitted so that the rate of burning can be controlled, and to prevent overfiring.

If you have any doubts about the suitability of your chimney, consult your local dealer/stockist.

The chimney must be swept before connection to the stove and swept every six months thereafter. If there is an excessive build up of soot, then the chimney must be swept and the reason for build up investigated.

An existing fireplace opening can be bricked up or sealed with a register plate, 1.5mm steel sheet or concrete. A short length of flue pipe no smaller in diameter than the stove flue outlet or the manufacturer's stated flue size may then be used to connect the stove to the chimney. This flue pipe should be of cast iron, 316 grade stainless steel or vitreous enamelled, nominal thickness 1.2mm. Ensure that the pipe end is no closer than 76mm to the side or rear chimney walls.

Ideally, the old fireplace should be filled in so that there is a smooth streamlined entry into the flueway.

If the stove is fitted in place of an open fire then the chimney should be swept one month after installation to clear any soot falls which may have occurred due to the difference in combustion between the stove and the open fire.

The length of any horizontal run of the flue pipe must not exceed the flue outlet diameter on the stove.

It is essential that all connections between the stove and chimney-flue are sealed and made airtight.

Both chimney and flue pipe must be accessible for cleaning and if ALL parts of the chimney cannot be reached through the stove, a soot door must be fitted to enable this to be done.

The Primary Air Sealing Plate is located on the front of the grate. To locate in position, slacken the two screws beneath the grate and pull forward, then close the door fully, open door and tighten screws.

POSITIONING OF APPLIANCE

The stove can be recessed in a suitable sized fireplace but a permanent free air gap of at least 100mm must be left around the sides and top to obtain maximum heat output and for access to the rear of the stove. There should not be any combustible material within a distance of 600mm from any surface of the stove. Furniture and general soft furnishings should not be within 900mm of any of the stove surfaces including the stove pipe. In all instances the stove should be positioned on a non-combustible hearth. Allow an apron of at least 300mm at the front of the stove and 150mm on either side. The hearth on which the stove is to be placed should not be less than 125mm thick if the floor is made of combustible material, and care should be taken to level the stove and secure the hearth. If existing floors do not have adequate load bearing capacity then suitable modifications to load bearing plates must be adopted.

When the stove is desired position mark hearth through holes in feet, remove stove drill and plug hearth for securing stove and levelling. See typical flue connection methods illustrated.

Upon completion of installation, the appliance should be checked under fire for soundness of joints and seals, and also that all smoke and fumes are taken from the appliance, up the chimney and emitted safely.

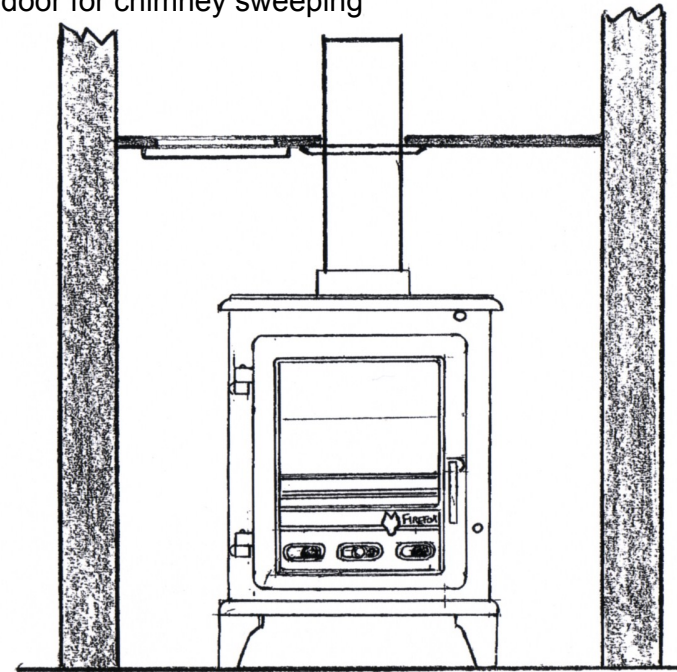
Care should be taken that all flues, hearths, and combustion air supplies are in accordance with the current Building Regulations, Local Authority By-laws, British Standards and Codes of Practice. Depending on the particular installation circumstances it may be necessary to fit permanent ventilation. Please refer to approved document J for detailed guidance. Care should be taken that these openings can not become obstructed. Considerations and provisions must be made for any other appliances requiring ventilation. An extractor fan must not be used in the same location as the appliance. This appliance is not to be used with a shared chimney.

COMMISSIONING OF APPLIANCE

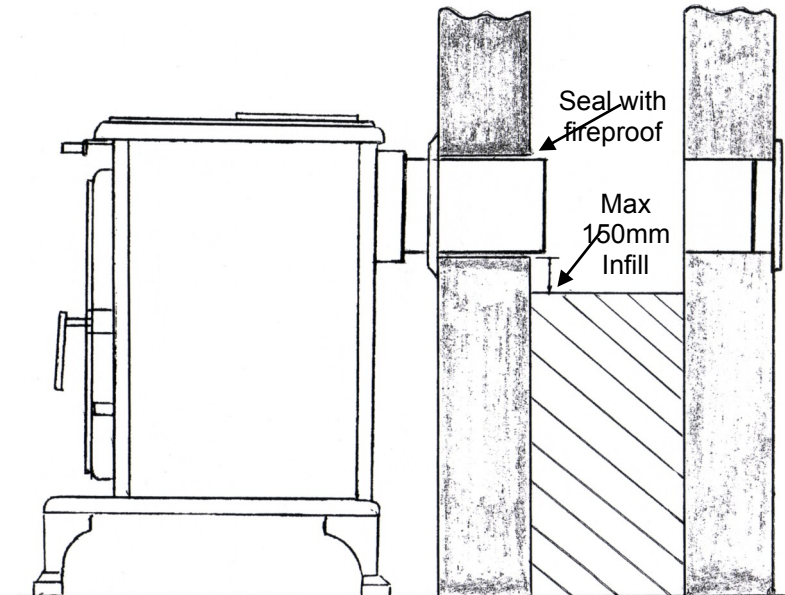
On completion of the installation and commissioning ensure that the operating instructions for the stove are left with the customer. Ensure to advise the customer on the correct use of the appliance and warn them to use only the recommended fuel for the stove. Advise the user what to do should smoke or fumes be emitted from the stove. The customer should be warned to use a fireguard to BS 8423:2002 in the presence of children, aged and/or infirm persons.

INSTALLATION DIAGRAMS

Typical Top Flue Installation using steel closure plate incorporating clean out door for chimney sweeping



Typical Rear Flue Installation with clean out door



CO ALARMS

Building regulations require that whenever a new or replacement fixed solid fuel or wood/biomass appliance is installed in a dwelling a carbon monoxide alarm must be fitted in the same room as the appliance. Further guidance on the installation of the carbon monoxide alarm is available in BS EN 50292:2002 and from the alarm manufacturer's instructions. Provision of an alarm must not be considered a substitute for either installing the appliance correctly or ensuring regular servicing and maintenance of the appliance and chimney system.

OPERATING INSTRUCTIONS

Primary Air

Primary air is controlled via the sliding vents in the bottom of the door; this provides a conventional air draught to the bed of the fire. (+) indicates more air, (-) indicates less air. To adjust, slightly turn the knob anti-clockwise to loosen, then move sideways. When in the desired position, turn the knob clockwise until tight.

Secondary Air

Secondary air is controlled via the sliding vent above the door, it is this 'airwash' that keeps a clean and uninterrupted view of the fire, also aiding in good secondary combustion of fuel and reducing emissions into the chimney and environment. To adjust the secondary air intake, simply move the slider left (-) for less air or right (+) for more air.

The stove has a pre-determined amount of fixed air supply on the primary and secondary air sliders. This is factory set and should not be adjusted or altered as it facilitates the clean burn function. Because of the pre-set air supply it is important that the flue draught requirements are adhered to, i.e. minimum = 12 pascals, maximum = 15 pascals. If the flue draught exceeds the maximum requirements then over firing can occur and suitable measures to control draught must be adopted.

Note: Over firing due to fixed air supply will not be dangerously high but efficiency may be compromised.

Damper Assembly (optional)

When burning wood only, a flue damper assembly may be fitted. When the damper is set in the open position the chimney draws at full draught, increasing the volume of air flow through the stove and flue. Shutting the damper restricts the flow, slowing the rate of burning. This is an after market product and will be of the type with positive open and closed indication to prevent misunderstanding.

De-Ashing

It is important that the riddler is used to remove the ash to ensure an airflow through the firebed and allow the fire to burn over the entire area of the grate. Insert peg on operating tool into hole in riddling rod, draw tool forwards and backwards with a slow positive action. Set rod in back position after de-ashing.

Notes On Wood Burning

Wood burns best on a bed of ash and it is therefore only necessary to remove surplus ash from the grate occasionally. Burn only dry, well seasoned wood, which should have been cut, split and stacked for at least 12 months, with free air movement around the sides of the stack to enable it to dry out. Burning wet or unseasoned wood will create tar deposits in the stove and chimney and will not produce a satisfactory heat output.

C) Poor quality fuel.

Only burn dry seasoned timber, soft woods have a lower heat output than hard woods per hour. Solid fuels vary in heat value check with your coal merchant as to suitability.

2) Dirty Glass Panel

A) Generally caused by poor fuel quality, see (1c)

B) Use secondary air slide (Airwash) for glass panel

C) Fire burning to low, open air vents on stove create hot fire this may 'burn' glass clean.

D) If glass requires cleaning use glass cleaner recommended by your supplier, only use glass cleaner or cold glass. DO NOT USE any abrasifs or scrapers these will scratch glass causing tar build up harder to remove.

3) Unburnt Fuel In Firebox

Insufficient air reaching fuel. Open primary air slide, this will supply combustion air to burn fuel fully (unless it has reached a 'point of return')

Check ash pan is full, empty if required, grate may be blocked de-ash with riddler, check for jammed clinker or nails in grate when fires out and cold.

4) Smoke And Fumes Entering Room

These are very dangerous and must NOT be tolerated. Open window and allow fire to burn out, seek expert advice immediately. DO NOT USE stove until the problem is solved. A list of Qualified Engineers is available from

UK Solid Fuel Association
7 Swanwick Court, Alfreton
Derbyshire DE557AS
Tel- 0845-601-4406

R.o.I.
Irish National Fireplace Organisation
162 Chapel Street, Dublin
Tel-01-801-5959

5) Chimney Fire

Identified by loud roaring sounds, dense smoke and sparks exiting chimney.

Shut down air supply to stove by closing air vents, close stove door fully, call fire brigade immediately. Regular chimney maintenance will prevent chimney fires. Seek advice from a Qualified Chimney Sweep. Chimneys must be checked annually more often when bitumas coal and poor quality smoky fuels

The clean burn function will be compromised if: the maximum fuel load is exceeded; the fuel is not dry/seasoned correctly; the fuel is contaminated i.e. paint, tar resins; or if the flue draught is insufficient. **Maximum fuel load is 1.7kg. Maximum log length is 365mm. Maximum log diameter is 100mm.** When refuelling on to a low firebed and there is insufficient burning material to light a new fuel charge, excessive smoke emission can occur. Refuelling must be carried out onto a sufficient quantity of glowing embers and ash that the new fuel charge will ignite in a reasonable period. If there are too few embers in the fire bed, add suitable kindling to prevent excessive smoke.

Recommended Fuels

Seasoned wood—moisture content less than 20%

Please note that when refuelling with solid fuel do not pile fuel higher than 30 degrees from the front bar rearwards—overfuelling can produce temperatures beyond the designed rating of the appliance, causing damage to internal parts.

Lighting The Stove

We recommend that you have two or three small fires before you operate your stove to its maximum heat output. This is to allow the paint to cure and castings to relax and consolidate location we recommend 'running in' procedure after long shutdowns to preserve life of stove. During this you may notice an unpleasant smell. It is not toxic, but for your comfort we would suggest that during this period you leave all doors and windows open.

First, load the fire with starting fuel i.e. paper, dry kindling timber and/or fire lighters in the mode chosen, either wood or coal.

Light the fire at base leaving all air controls open. Allow the fuel to reach a steady glow and build the fire up gradually. Once you have a good fire established across the grate bed, further fuel can be added as required.

When your fuel is well alight you can start to restrict the primary air intake. If you are burning only wood, the primary air control can be fully closed. If you are burning solid fuel you will require more primary air. Your stove is burning with maximum efficiency when a bright fire is achieved using minimum air inlet.

The stove can be banked up for long periods. When burning solid fuel empty the ashpan. Open air controls and let the fire burn brightly for a short period. Refuel and close air controls, the exact setting required will depend on the fuel used and the chimney draw so some practice may be necessary. To revive the fire, open air controls until the fire is burning brightly, de-ash if necessary (solid fuel only) and refuel. Set air controls as required.

This appliance is designed to be operated with the door closed. Except for refuelling, not only is it unsafe to operate with the door open but the appliance efficiency will be reduced dramatically.

be removed. To replace grate, reverse this procedure. Note position of grate riddling rod as it connects to grate. The hook on the end of the rod passes under and up through the arm hole on the grate. If the removal of the outer grate is required then the baffle plate, rear and side bricks will require removal. The outer grate will then lift out off it's stops.

Grate Removal Firefox 8

The Firefox 8 has two rotating grates joined by a connecting rod. These can be removed but one of the connecting rod screws will need to be unscrewed (M6 socket head). These are under the grate. It is sometimes easier to remove complete grate assembly as described in full grate removal instructions.

Stove Body

The stove is finished with a heat-resistant paint and this can be cleaned with a soft brush. Do not clean whilst the stove is hot, wait until it has cooled down. The finish can be renovated with a suitable brand of paint.

Glass Panels

Clean the glass panels when cool with a proprietary glass cleaner. Highly abrasive substances should be avoided as these can scratch the glass and make subsequent cleaning more difficult. Wet logs on heated glass, a badly aimed poker or heavy slamming of the doors could crack the glass panels. The glass will not fracture from heat.

Chimney

Check your chimney each year before starting to use your stove for the winter. Birds may have nested in the chimney or the masonry may have cracked. Both chimney and flue pipe must be swept at least once a year.

To avoid a build up of soot on the baffle (the plate inside the stove above the grate) this must be removed and cleaned periodically. This plate locates the back and side firebricks so note its position before removal. To remove, lift plate and remove one side brick, this will allow plate to drop and aid removal. To replace, position baffle plate on back and side brick, lift plate and replace remaining brick, make sure it has located in position. This must be done when the stove is cold.

TROUBLESHOOTING

1) Poor heat output

A) Stove too small for a room.

Seek advise from a Qualified Heating Engineer as to (KW) output required for room size as a guideline the volume of the room in cubic feet divided by 500 i.e. room 15'x15'x8' would require 3.6kw approx.

B) Chimney and/or flue pipe restricted, room ventilation restricted.

On installation these will have been checked but regular maintenance is necessary as conditions can change i.e. soot build up, birds nesting, masonry fall, dust build up or furniture blocking vents.

The most common cause of fume emission is flueway or chimney blockage. For your own safety these must be kept clean at all times.

Your installer should have fitted a CO alarm in the same room as the appliance. If the alarm sounds unexpectedly, follow the instructions given under “Warning Note” above.

DO NOT FIT AN EXTRACTOR FAN IN THE SAME ROOM AS THIS APPLIANCE

SEASONAL MAINTENANCE

If the stove is to be left unused for a prolonged period of time then it should be given a thorough clean to remove ash and unburned fuel residues. To enable a good flow of air through the appliance to reduce condensation and subsequent damage, leave the air controls fully open. It is important that the flue connection, any appliance baffles or throat plates and the chimney are swept prior to lighting up after a prolonged shutdown period.

Air slides should be lightly oiled and left partially open to allow circulation of air. Regular monitoring of internals will highlight condensation problems or water ingress. If these problems occur then the appliance needs drying and the cause of the problem investigating. It is advisable that after a seasonal shutdown the appliance is re-cleaned. Remove baffle plate, brick linings, check operation of grate, check flue for any possible blockages. It is advisable to have the chimney swept at least once or even twice per year. If the appliance is in constant use, the use of bitumas coal or poor quality wood makes flues soot and tar up more frequently. Basic maintenance can be carried out by the appliance operator, i.e removal of baffle plate, bricks, grate, glass replacement and must be done when the appliance is cold. Any structural repairs, i.e. panel collar replacement or stove pipe must be carried out by a suitably qualified engineer.

GENERAL MAINTENANCE

Baffle Plate

This should be removed at least once a month to prevent any build up of soot or fly ash which could lead to blocked flueways and dangerous fume emission. If the baffle plate is removed the chimney/flueway can be swept through the appliance.

Baffle Plate Removal and Replacement

Note position before removal. To remove baffle plate, lift up and remove one side brick left or right. The baffle plate can now be manipulated out of the stove door opening. Remove the remaining back and side brick—as the bricks are free-standing no damage can now occur due to bricks falling over.

To replace, place rear brick in position and one side brick. Manipulate baffle into position and fit remaining side brick. Make sure all parts are located.

Full Grate Removal

The stove has a single rotating grate operated by an attached riddling rod. To remove, unscrew control knob and rotate grate out of its guide hole. The centre grate can now

Solid Fuels

We recommend the majority of approved manufactured smokeless fuels. Household coal, which is ‘Smokey’ fuel, can also be used but note that different types will give different performances. Use as an incinerator is not recommended as fumes from plastics etc will cause pollution to the atmosphere and will damage stoves internals.

PETROLEUM COKE FUELS OR HOUSEHOLD WASTE SHOULD NOT BE BURNT ON THIS APPLIANCE

Should any difficulties arise over fuel quality or suitability, consult your local supplier or the Solid Fuel Advisory Service.

IMPORTANT

-Fuel overloading

The maximum amount of fuel specified in this manual should not be exceeded, overloading can cause excess smoke.

-Operation with door left open

Operation with the door open can cause excess smoke. The appliance must not be operated with the appliance door left open except as directed in the instructions.

-Dampers left open

Operation with the air controls or appliance dampers open can cause excess smoke. The appliance must not be operated with air controls, appliance dampers or door left open except as directed in the instructions.

Safety Notes For Your Guidance

FIRES CAN BE DANGEROUS—Always use a fire guard to BS6539 specification in the presence of children, the elderly or the infirm. Inform all persons the dangers of high temperatures during operation of appliance including the stove pipe use operating tools provided. Do not use an aerosol spray near the appliance under fire.

DO NOT OVER FIRE—it is possible to fire the stove beyond its design capacity, this could damage the stove, so watch for signs of overfiring—if any part of the stove starts to glow red, the fire is in an overfire situation, and the controls should be adjusted accordingly. Never leave the stove unattended for long periods without adjusting the controls to a safe setting—careful air supply control should be exercised at all times.

Warning Note

Properly installed, operated and maintained this stove will not emit fumes into the dwelling. Occasional fumes from de-ashing and re-fuelling may occur. However, persistent fume emission is potentially dangerous and must not be tolerated. If fume emission does persist, then the following immediate action should be taken:

- (a) Open doors and windows to ventilate the room and then leave the premises.
- (b) Let the fire go out.
- (c) Check for flue or chimney blockage and clean if required
- (d) Do not attempt to relight the fire until the cause of the fume emission has been identified and corrected. If necessary seek expert advice.