



Code	CHELSEADUOM-S4
Output	5kW
Log length	300mm
Nett efficiency	71.7%
Width	457mm
Height	495mm
Depth	334mm

A dependable favourite amongst the Villager range. The two-door Chelsea Duo model offers a classical appearance. The tastefully chunky controls offer total ease of use whilst the curved-edge fire viewing windows and exposed door hinges add rural charm.

Features

- Lifetime guarantee
- Preheated airwash system for clean glass
- Stainless steel ash pan
- Burns wood or solid fuel
- Externally controlled riddling grate
- Primary and secondary burn to improve efficiency
- Top or rear 127mm (5") flue outlet

Optional Extras

- Add On Canopy - High - [AOCV013]
- Add On Canopy - Low - [AOCV012]
- Add-in Boiler - [AIBV007]
- Arada Ash Carrier - Medium - [ARA017]
- Arada Universal Stand - [STAND001]
- Universal Stand/Log Store - [STAND003]

Chelsea Duo - Technical Information

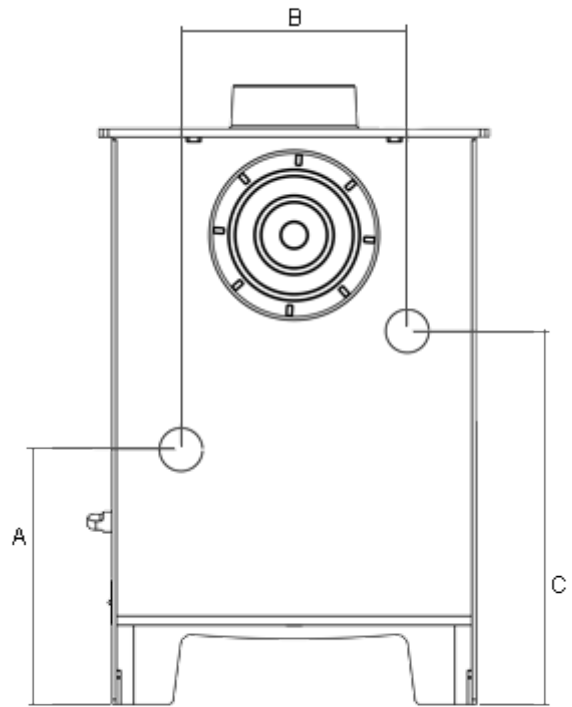
Code	CHELSEADUOM-S4
Output range	1-6.5kW
Nett efficiency	71.7%
Width	457mm
Height	495mm
Depth	334mm
Height to centre of rear flue	375mm
Height of add on low canopy	143.5mm
Height of add on high canopy	236mm
Added height when on stand	200mm
Depth of back to centre of top flue	102mm
Flue diameter	127mm
Suitable for 12mm hearth	Yes
Under hearth temperature	59.8°C
Suitable for direct air supply kit	No
Packed weight	62kg
Maximum log length	300mm

Minimum Distance To Combustibles

To rear of stove	700 mm
To sides of stove	500 mm
Above stove	380 mm

Boiler Tapping Measurements

Distance A	208 mm
Distance B	252 mm
Distance C	412 mm



Add In Boiler Tapping Measurements.
Rear view example shown. Not to scale.